

# M 390



## MAGNETIC DRIVE PUMPS

### Highlights

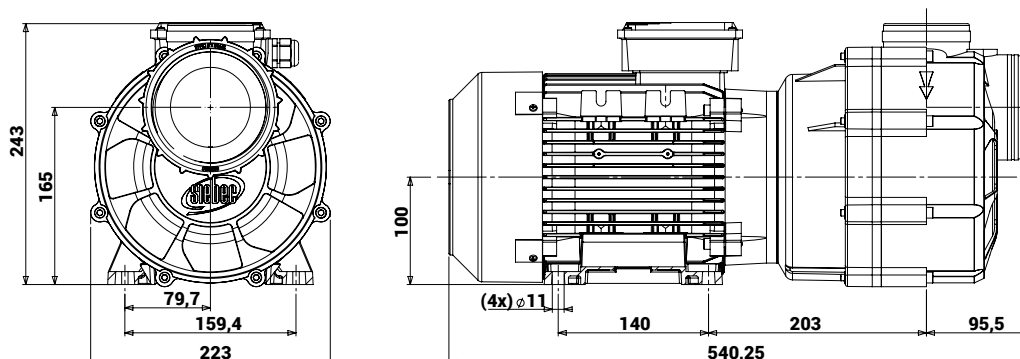
- Polypropylene construction : great resistance to acids and alkalines
- Closed centrifugal impeller with diffusor : great efficiency
- Magnetic drive : no mechanical seals, no risks of leaks
- Impeller shaft ceramic / ceramic or ceramic / graphite with ceramic : great resistance (no dry run)
- Self-priming : up to 2m vacuum
- Integrated safety strainer
- Integrated electrical motor IE3
- Connection : grooved nozzles
- Option : union nut, flanges
- **Special high density versions : liquids of 1,8 density**



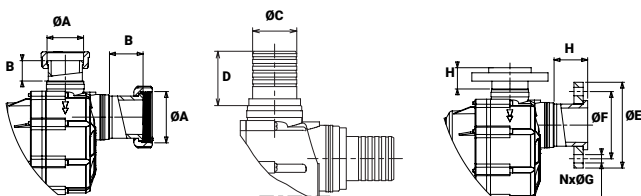
### Technical features

<b>Drive</b>		Magnetic
<b>Shaft / sleeve</b>		Ceramic / ceramic with ceramic / rulon stop
<b>Electric motor</b>		IE3
<b>Power supply - V</b>		230 / 400 3ph
<b>Frequency - Hz</b>		50 ou 60
<b>Rotation speed - rpm</b>		3 000
<b>Motor power - kW</b>		3
<b>Max flowrates - m3/h</b>		43
<b>Max height - m</b>		22
<b>Max temperature - °C</b>	PP	80
	PVDF	110
<b>Density</b>		<1,3 (<1,8 in option)
<b>Gaskets</b>	PP	EPDM - FPM
	PVDF	FPM

### Dimensions



### Connections



**1** Union nut

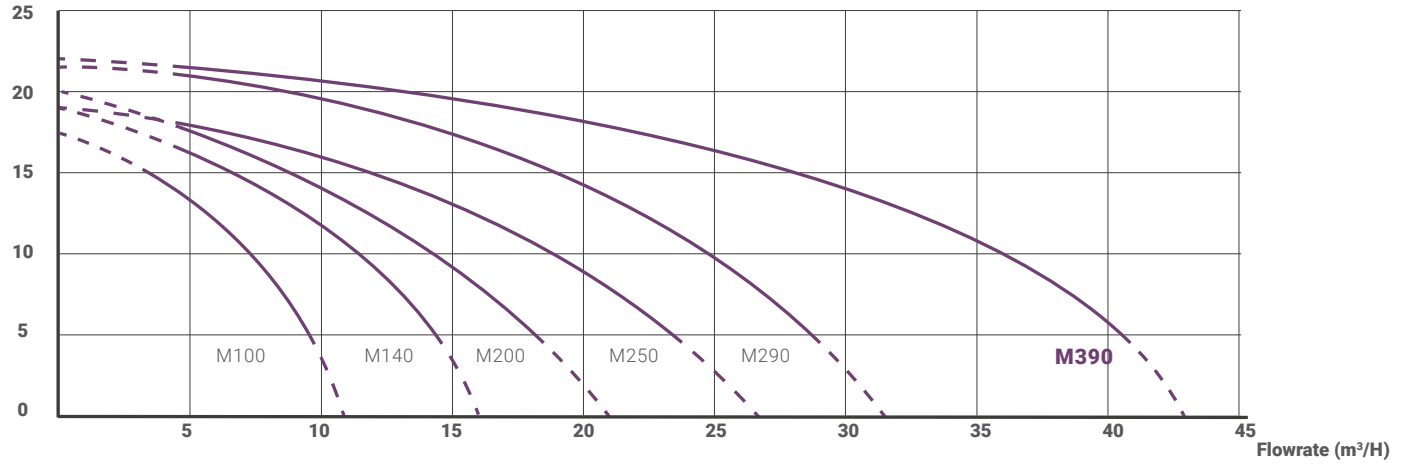
**2** Grooved nozzles

**3** Flanges

		Inlet	Outlet
1	ØA-B	Tr 108x5 - DN65 - 73	G 2"3/4 - DN50 - 44
2	ØC - D	Ø65 - 80	Ø65 - 80
3	ØE - ØF - NxØG - H	Ø 185 - Ø145 - 4x Ø18 - 73	Ø 165 - Ø125 - 4x Ø18 - 46

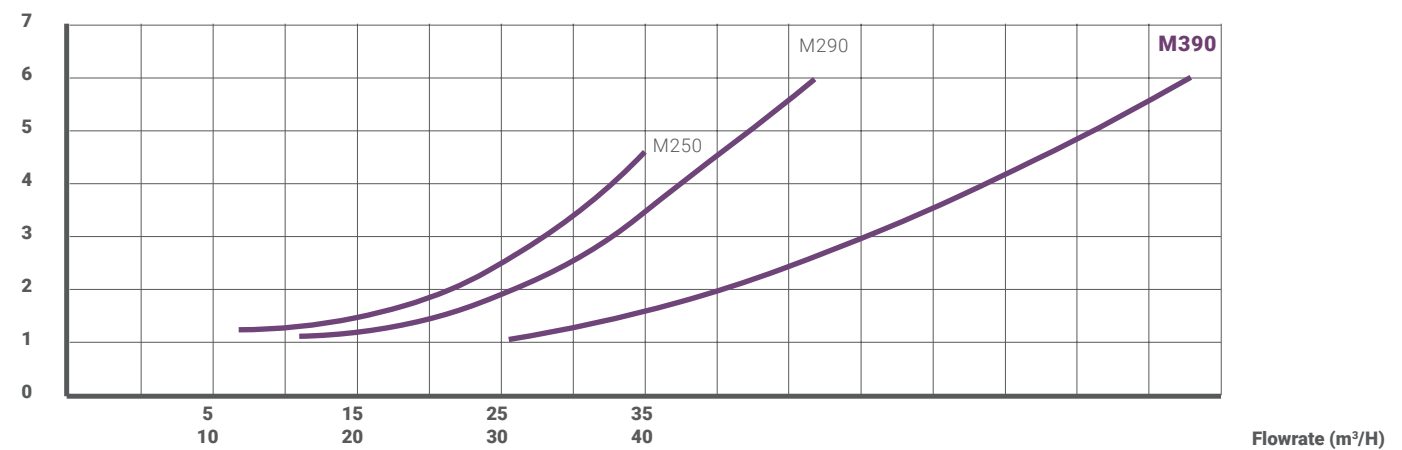
## Flowrate charts

TOTAL HEAD (mWC)



## NPSH charts

NPSH (mWC)



## Efficiency charts

Efficiency (%)

