

## Medium flow vertical filter



### ADVANTAGES

Excellent resistance to acids and bases thanks to injected polypropylene or PVDF.

Welded tank, no gaskets, no risk of leakage.

Intank assembly : no risks of leaks outside the bath.

Out of tank assembly : space gained in the tank.

Quick opening lid.

### SPECIFICATION

#### Performances

Flow rate (m <sup>3</sup> /h)	5 -> 9
Max temperature (°C)	80 (PP) - 110 (PVDF)
Filtration fineness (µm)	0,2 -> 100

#### Motor

Maximum power (W)	1100
-------------------	------

#### Design

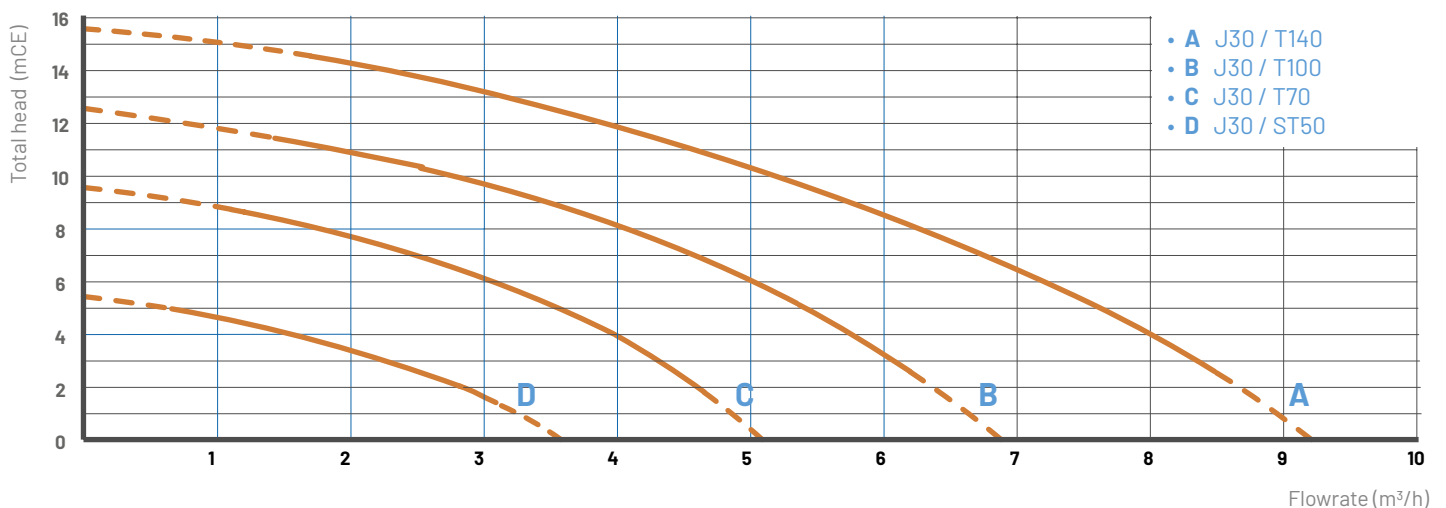
Available materials	Polypropylene (PP) Polyvinylidene fluoride (PVDF)
Seals	EPDM - FPM - NBR
Pumps	T50 - T70 - T72 - T100 - T102 - T140 - T142
Connections	Grooved nozzle, Union nut, Flanges, Threaded

### FILTRATION MEDIAS

- 1 LTECH pleated cartridge : 1 x 10"
- 2 Wound cartridges : 7 x 10"
- 3 Discs : 32 Ø 195mm
- 4 Activated carbon : 1 x 5,8L

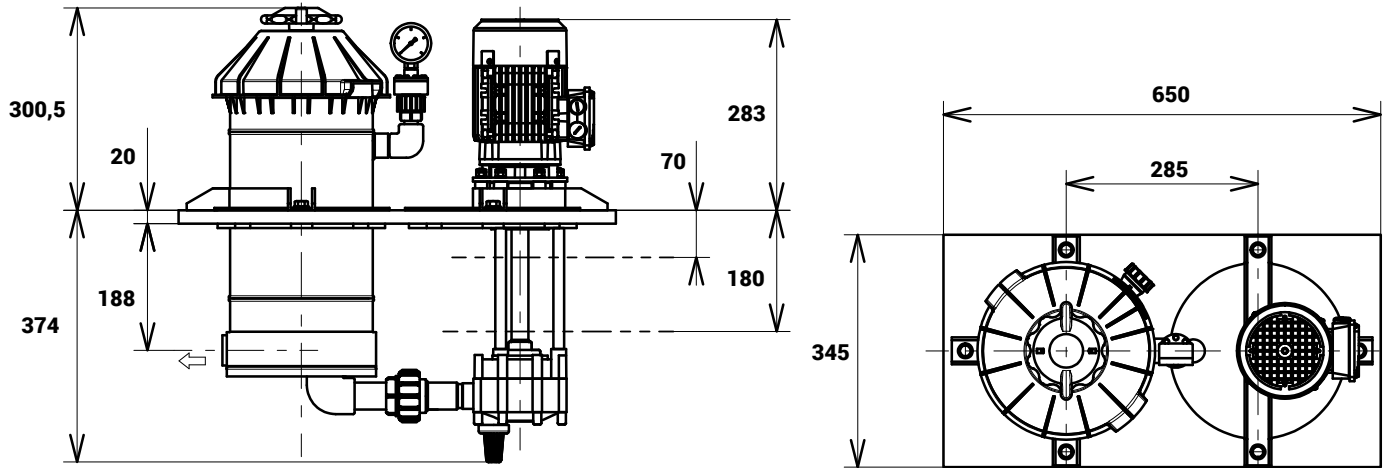


### FLOWRATE CHARTS



**DIMENSIONS J30 - T50 / T70**

Units : mm



**DIMENSIONS J30 - T100 / 140**

Units : mm

