

## Medium flow vertical filter



### ADVANTAGES

Excellent resistance to acids and bases thanks to injected polypropylene or PVDF.

Welded tank, no gaskets, no risk of leakage.

Intank assembly : no risks of leaks outside the bath.

Out of tank assembly : space gained in the tank.

Quick opening lid.

In option : oil removal on OILTECH microfibers.

### SPECIFICATION

#### Performances

Flow rate (m <sup>3</sup> /h)	5 -> 18
Max temperature (°C)	80 (PP) - 110 (PVDF)
Filtration fineness (µm)	0,2 -> 100

#### Motor

Maximum power (W)	2200
-------------------	------

#### Design

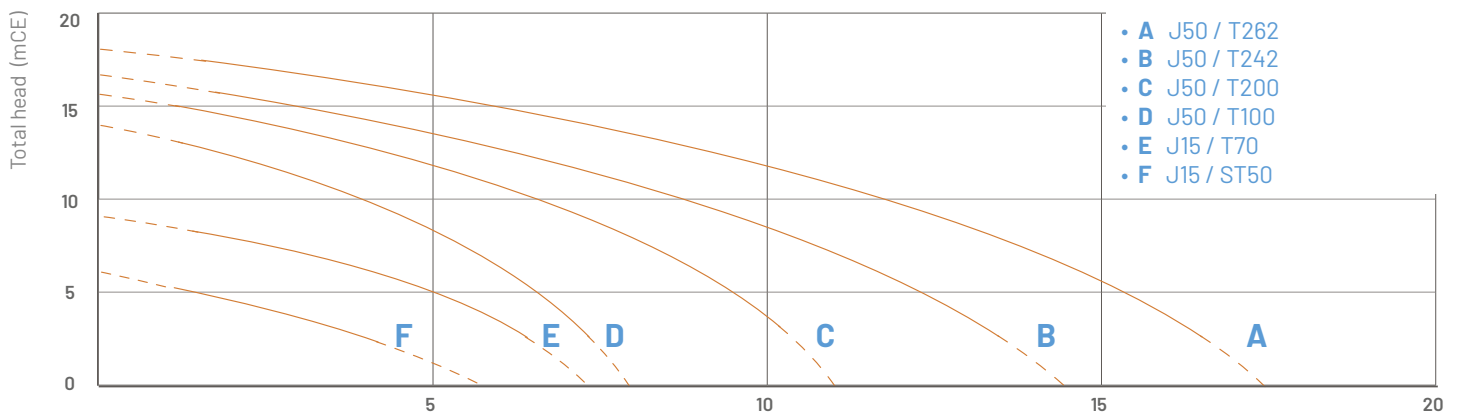
Available materials	Polypropylene (PP) Polyvinylidene fluoride (PVDF)
Seals	EPDM - FPM
Pumps	T100, T140, T200, T242, T262
Connections	Grooved nozzle, Union nut, Flanges, Threaded

### FILTRATION MEDIAS

- 1 L-TECH pleated cartridge : 1 x 20" (5m<sup>2</sup>)
- 2 Wound cartridge : 7 x 20"
- 3 Discs : 64 discs Ø 195mm
- 4 Activated carbon : 11,6 L

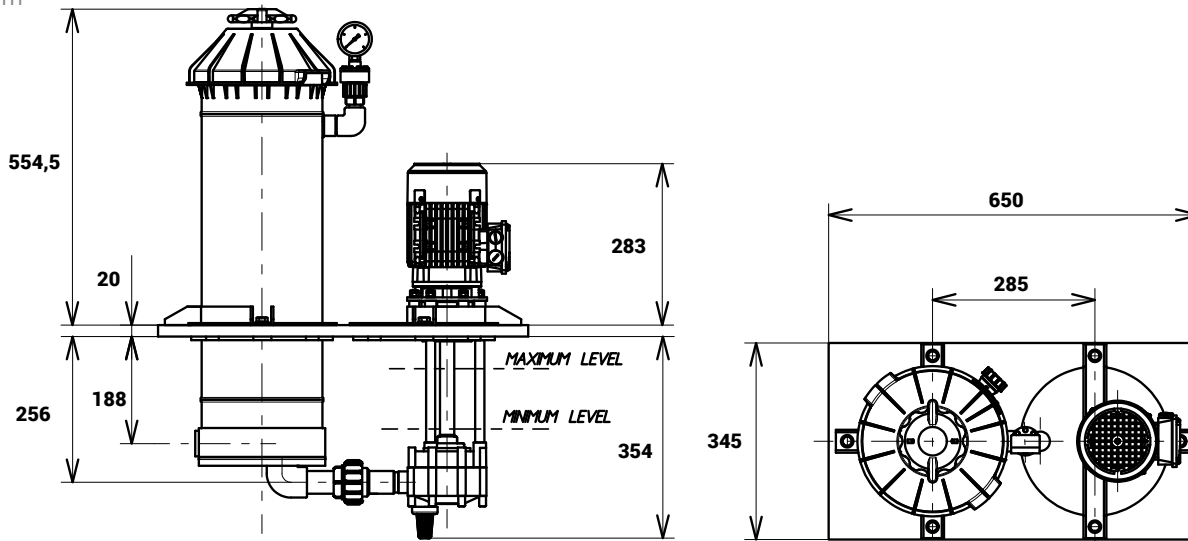


### FLOWRATE CHARTS

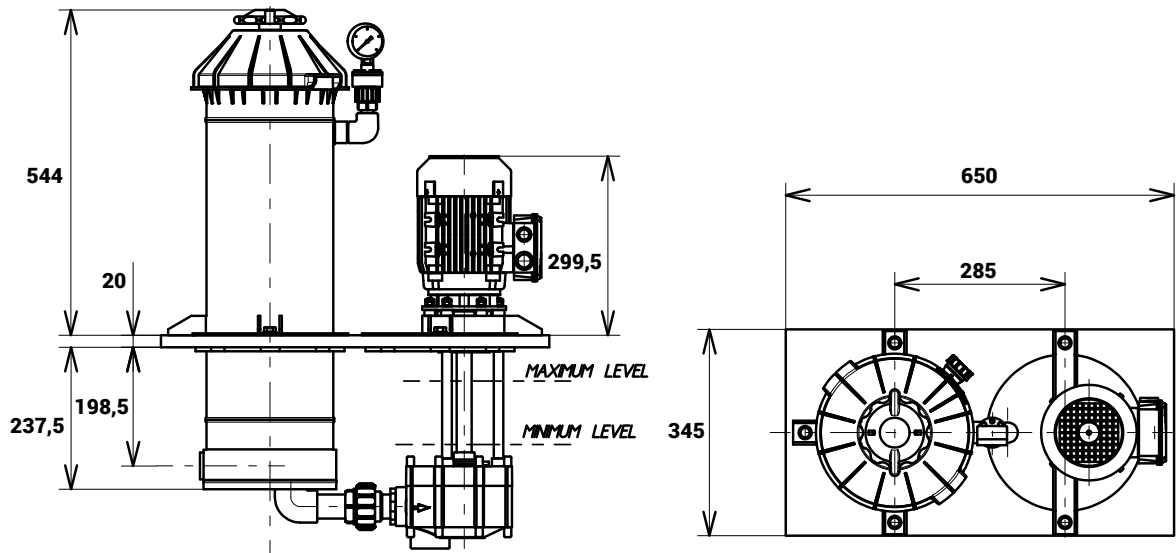


**DIMENSIONS T50 / T70**

Units : mm



**DIMENSIONS T100 - T140 / T200**



**DIMENSIONS T242**

