

Medium flow filter on a choice of 10", 20" or 30".



### ADVANTAGES

Excellent resistance to acids and bases thanks to injected polypropylene or PVDF.

Welded tank, no gaskets, no risk of leakage.

Side panels protecting the pump from splashes.

Quick opening lid.

Wide range of interchangeable media.

### SPECIFICATION

#### Performances

Max flow rate (m <sup>3</sup> /h)	1,5 -> 6,5
Max temperature (°C)	80 (PP) - 110 (PVDF)
Filtration fineness (µm)	0,2 -> 100

#### Motor

Maximum power (W)	1500
-------------------	------

#### Design

Technology	Magnetic drive
------------	----------------

#### Available materials

Polypropylene (PP)  
Polyvinylidene fluoride (PVDF)

#### Seals

EPDM - FPM - NBR

#### Pumps

M100 - M140 - M200 - M250

#### Connections

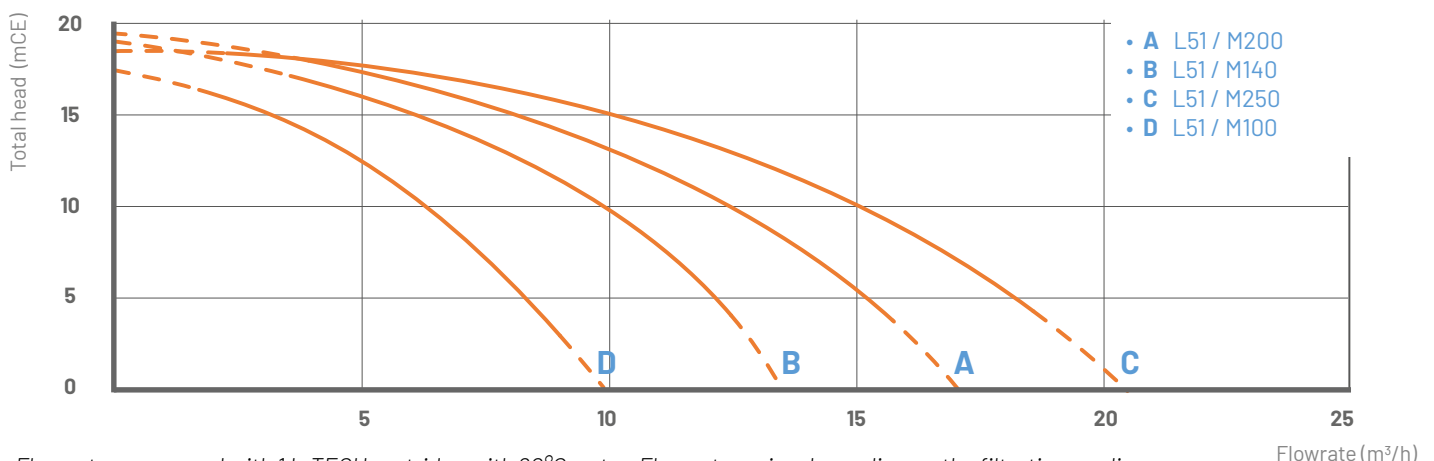
Grooved nozzle, Union nut, Flange, Threaded

### FILTRATION MEDIAS

- 1 LTECH pleated cartridge : 10", 20" or 30" (2,5m<sup>2</sup>, 5m<sup>2</sup> or 7m<sup>2</sup>)
- 2 Wound cartridges : 7 de 10", 20" or 30"
- 3 Plates : 0,72m<sup>2</sup>, 1,44m<sup>2</sup> and 2,16m<sup>2</sup>
- 4 Activated carbon : 5.8L in 10", 11.6L in 20" and 17.3L in 30"
- 5 Bag : 1 bag size 10

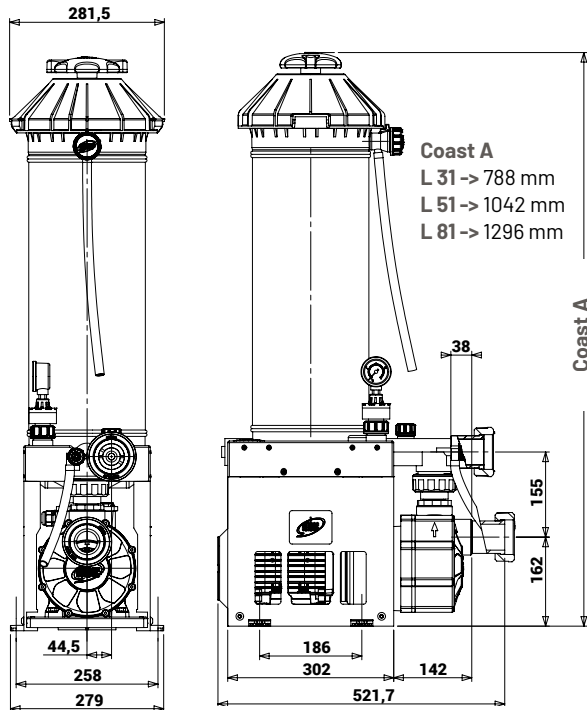


### FLOWRATE CHARTS



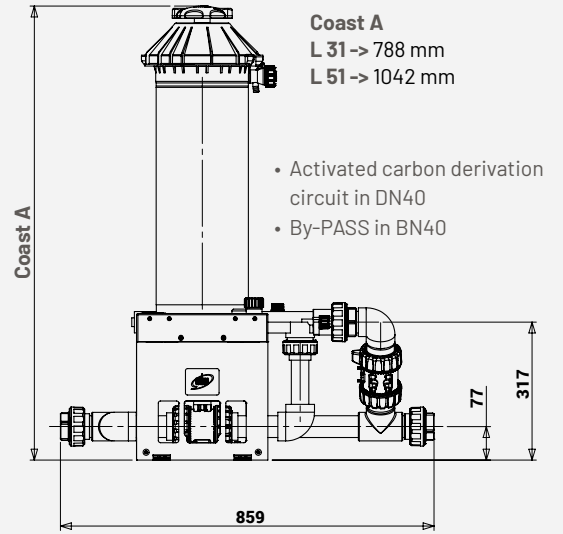
## DIMENSIONS

Units : mm



Coast A  
 L 31 -> 788 mm  
 L 51 -> 1042 mm  
 L 81 -> 1296 mm

## AC OPTION FOR L31 -51 FILTERS WITHOUT PUMP

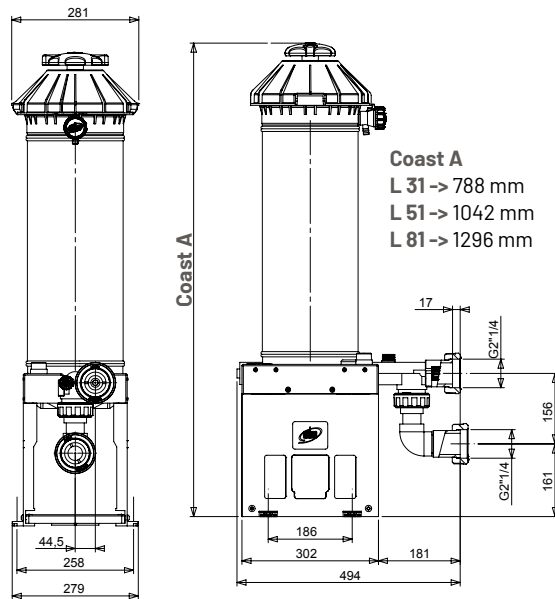


Coast A  
 L 31 -> 788 mm  
 L 51 -> 1042 mm

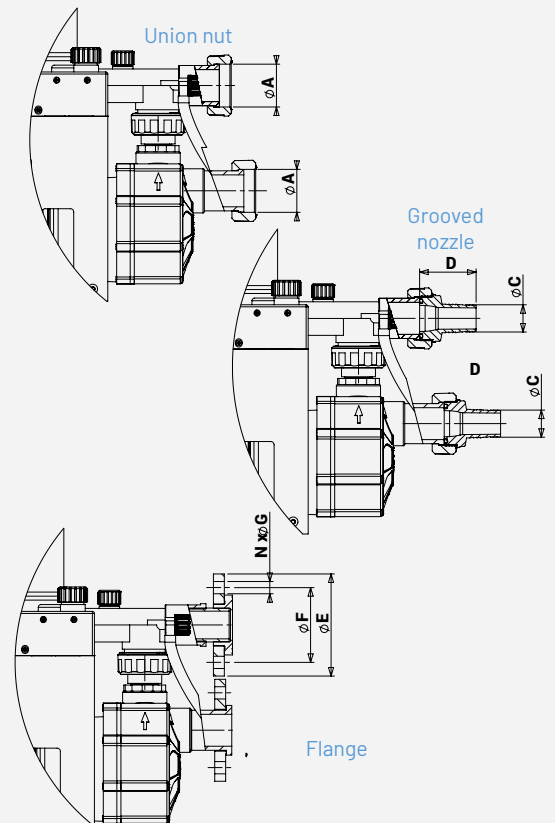
- Activated carbon derivation circuit in DN40
- By-PASS in BN40

## DIMENSIONS WITHOUT PUMP

Units : mm



Coast A  
 L 31 -> 788 mm  
 L 51 -> 1042 mm  
 L 81 -> 1296 mm



## CONNECTIONS

		Union nut $\phi A$	Grooved nozzle $\phi C - D$		Flange $\phi E - \phi F - N \times G$		
<b>M100 / M140</b>	Input	2"1/4 - DN40	$\phi 40$	83	$\phi 150$	$\phi 110$	4 x $\phi 18$
	Output	2"1/4 - DN40	$\phi 40$	83	$\phi 150$	$\phi 110$	4 x $\phi 18$
<b>M200 / M250</b>	Input	2"3/4 - DN50	$\phi 50$	117	$\phi 165$	$\phi 125$	4 x $\phi 18$
	Output	2"1/4 - DN40	$\phi 40$	83	$\phi 150$	$\phi 110$	4 x $\phi 18$
<b>A18 / A19</b>	Input	2"1/4 - DN40	$\phi 40$	83	$\phi 150$	$\phi 110$	4 x $\phi 18$
	Output	2"1/4 - DN40	$\phi 40$	83	$\phi 150$	$\phi 110$	4 x $\phi 18$



**SIEBEC SAS**  
 contact@siebec.com



**SIEBEC Ltd**  
 sales@siebec.co.uk



**SIEBEC S.L.**  
 ventas@siebec.com



**SIEBEC SRL**  
 commerciale@siebec.com



**SIEBEC GmbH**  
 info@siebec.de



**SIEBEC LDA**  
 info.pt@siebec.com

We are here to help.  
**Contact us!**

