

Low flow filter



ADVANTAGES

Plexiglas or PP body.

Small volume filtration on standard cartridges.

SPECIFICATION

Performances

Max flow rates (m ³ /h)	0,35 -> 0,375
------------------------------------	---------------

Max temperatures (°C)	80 (PP) - 70 (PMMA)
-----------------------	---------------------

Filtration fineness (µm)	1 -> 50
--------------------------	---------

Motor

Power (W)	10
-----------	----

Design

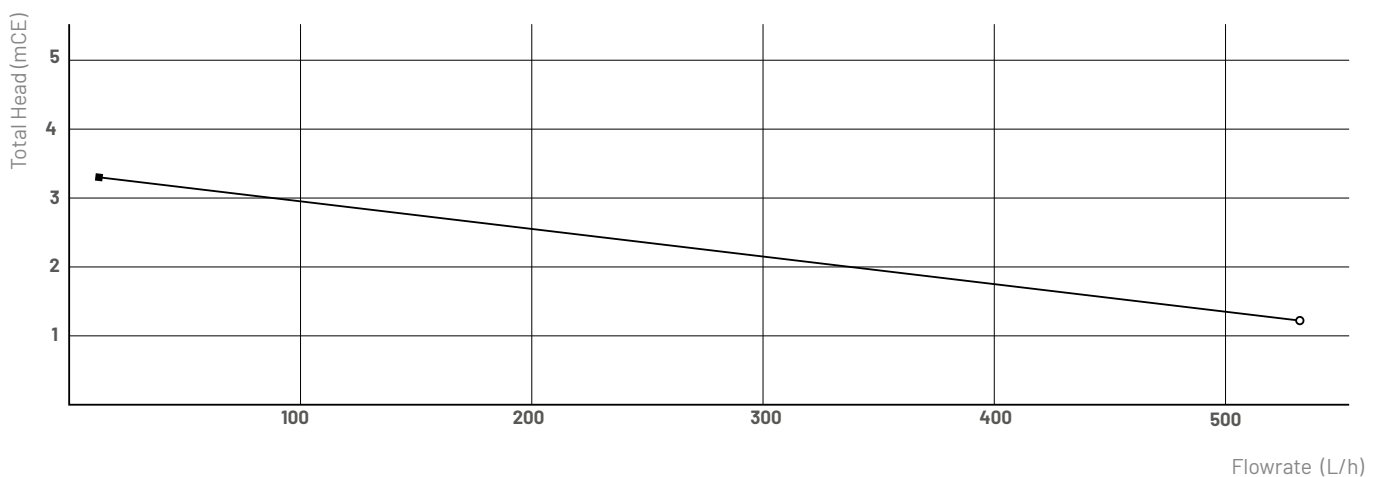
Technology	Magnetic drive
------------	----------------

Available materials	Polypropylene (PP) Plexiglas (PMMA)
---------------------	--

Pump	M7
------	----

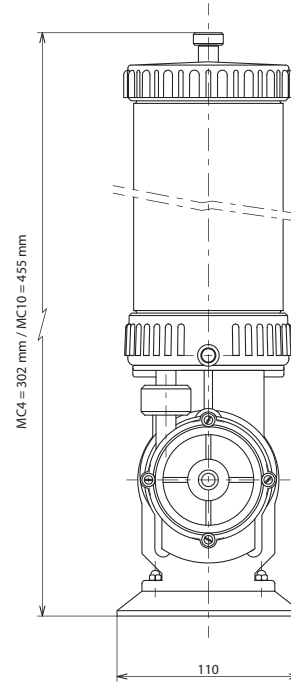
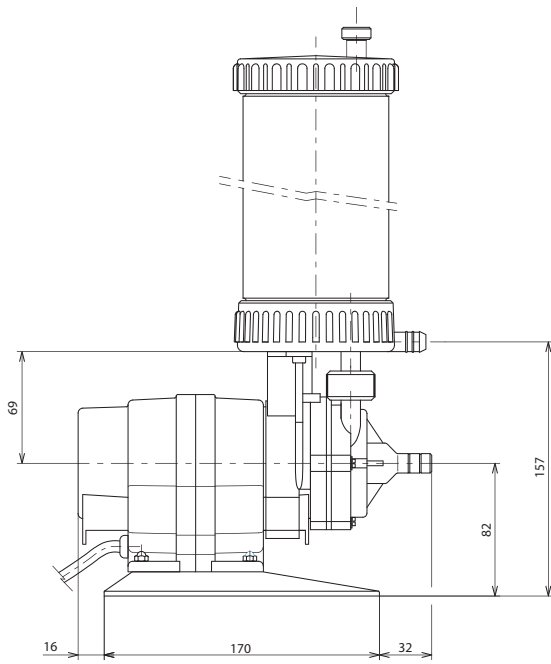
Connection	Grooved nozzle
------------	----------------

MC4 / MC10 FLOW RATE CURVE



DIMENSIONS

Units : mm



FILTER MEDIA

Standard cartridge :

- MC4 : 1 cartridge 4"
- MC10 : 1 cartridge 10"



SIEBEC SAS
contact@siebec.com



SIEBEC Ltd
sales@siebec.co.uk



SIEBEC S.L.
ventas@siebec.com



SIEBEC SRL
commerciale@siebec.com



SIEBEC GmbH
info@siebec.de



SIEBEC LDA
info.pt@siebec.com

We are here to help.
Contact us!

