

High flow filter



ADVANTAGES

Excellent resistance to acids and bases thanks to injected polypropylene.

Monobloc injected tank, no gaskets, no risk of leakage.

Side panels protecting the pump from splashes.

Quick opening lid.

Wide range of interchangeable media.

SPECIFICATION

Performances

Max flow rate (m ³ /h)	9 -> 28
Max temperature (°C)	70
Filtration fineness (µm)	0,2 -> 100

Motor

Maximum power (W)	2200
-------------------	------

Design

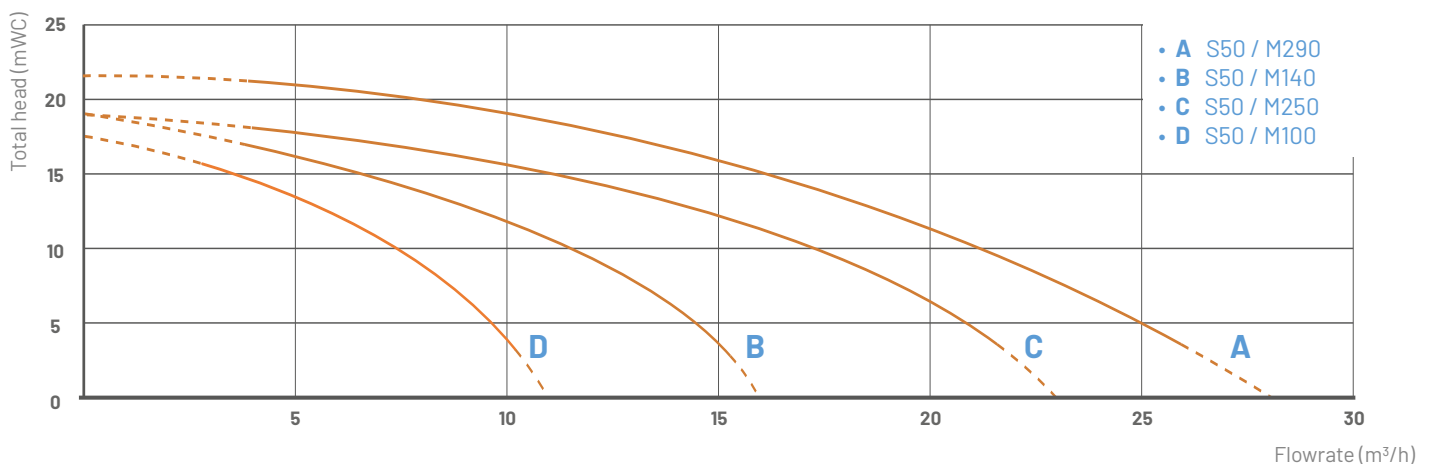
Technology	Magnetic drive
Available material	Fiber glass injected polypropylene
Pumps	A19 - M100 - M140 - M200 - M250 - M290
Connections	Grooved nozzle, Union nut, Flange, Threaded
Coating tank	30 L
Options	OIL TECH : PP microfiber charge

FILTRATION MEDIAS

- 1 S-TECH pleated cartridge : 2 STECH 10" (2 x 5m² = 10m²)
- 2 Wound cartridges : 12 x 20"
- 3 Discs : 58 Ø258
- 4 Activated carbon : 11,6L

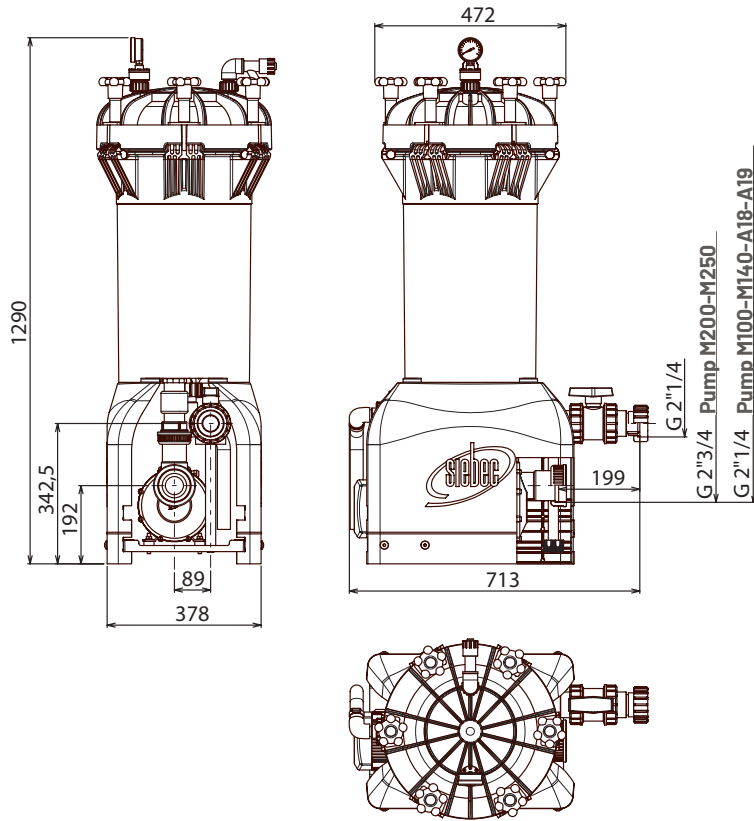


FLOWRATE CHARTS



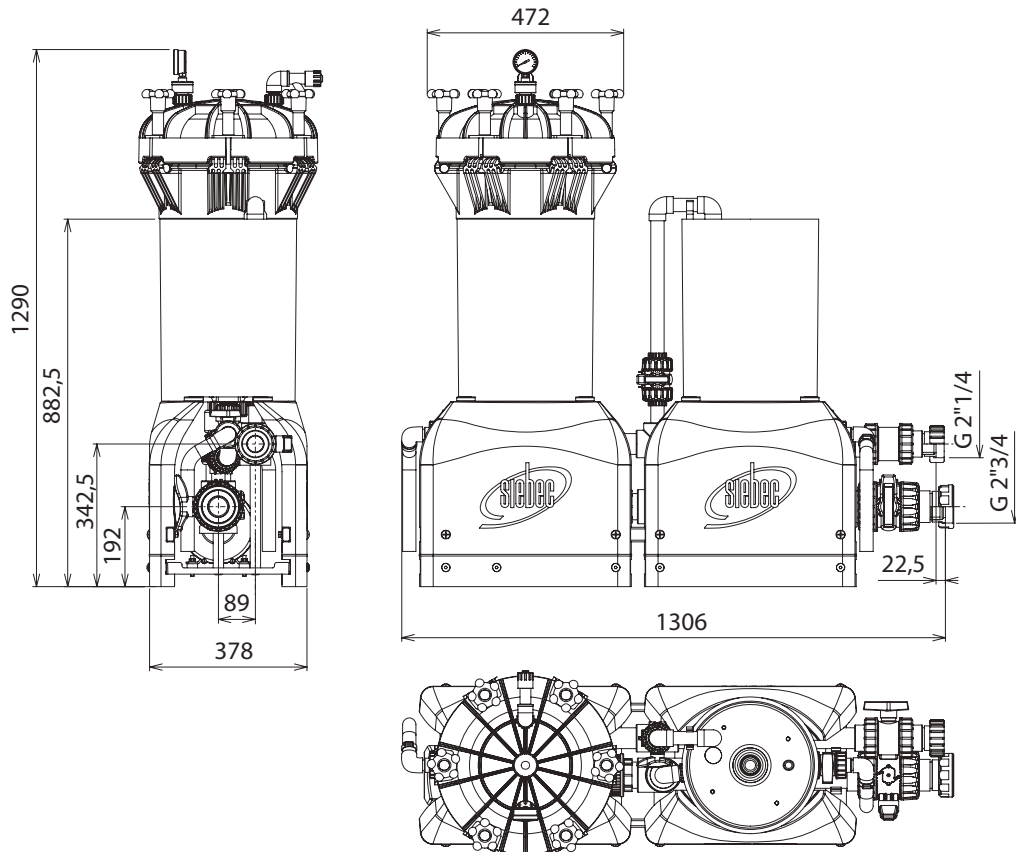
DIMENSIONS

Units : mm



DIMENSIONS WITH DISSOLUTION TANK

Units : mm



SIEBEC SAS
contact@siebec.com



SIEBEC Ltd
sales@siebec.co.uk



SIEBEC S.L.
ventas@siebec.com



SIEBEC SRL
commerciale@siebec.com



SIEBEC GmbH
info@siebec.de



SIEBEC LDA
info.pt@siebec.com

We are here to help.
Contact us!

