

EN Data sheet

6 FILTECH™ cartridge filter housing with eye-bolts



Description

F-INOX model is a large cartridge filter housing designed for the industrial sector.

Its molded design incorporates a toggle bolt closure and DN150 PN16 flanged connections.

The cover is equipped with a 1/2" BSP connection for mounting a vent valve or a pressure gauge and a 1" connection for mounting the drain valve.

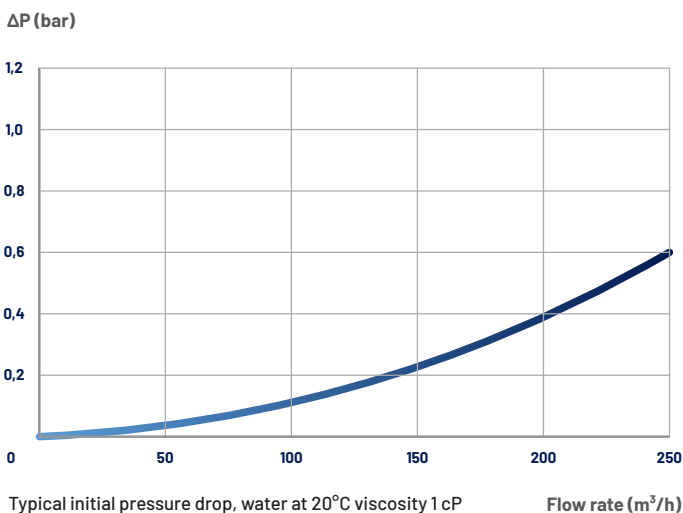
The surface is electropolished for easy cleaning and corrosion resistance. The filter housing accepts FILTECH™ 30" cartridges that reduce filtration and service costs.

The very large filter surface area of FILTECH™ cartridges provide minimal pressure drop and excellent retention capabilities.

Characteristics & benefits

- Quick closure with eye-bolts for better pressure resistance.
- Material: 316L stainless steel
- Height : 30".
- The FILTECH™ pleated filter cartridge have a very large filtering surface (7.5m²/30"cartridge). See FILTECH™ data sheet.
- Simplified maintenance intervention thanks to FILTECH™ technology.
- Reduced filtration and intervention costs.
- Filtration rate between 100 and 250 m³/h
- Cover seal :
 - EPDM
 - FPM
- Options available upon request :
 - Pressure gauge, drain valve and vent valve in 316L (Ref : S116443)
 - Possibility of mounting 42 standard QUALITERM™ or QUALIBOB™ cartridges.
- Other connection types and designs available upon request.

Typical flow rates : For F-INOX 30", Inlet/Outlet 6" (DN150)



Service conditions

Conditions of use according to 2014/68/EU

Fluid group	Condition	Temperature	Maximum operating pressure
Non-hazardous fluid	Liquid	-20 to 75 °C	7 bars

ORDER REFERENCE

Example :

F-INOX - **A** 30 - **B** B150 - **C** 316 - **D** E

A / Filter housing sizes

Code	Height
20	20"
30	30"

C / Material

Code	Material
316	316L stainless steel

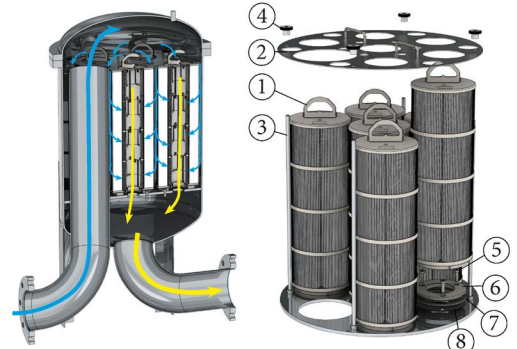
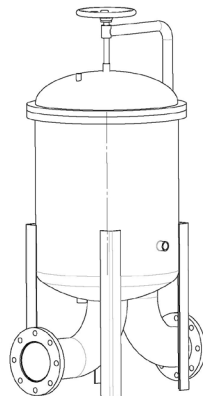
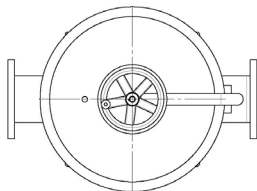
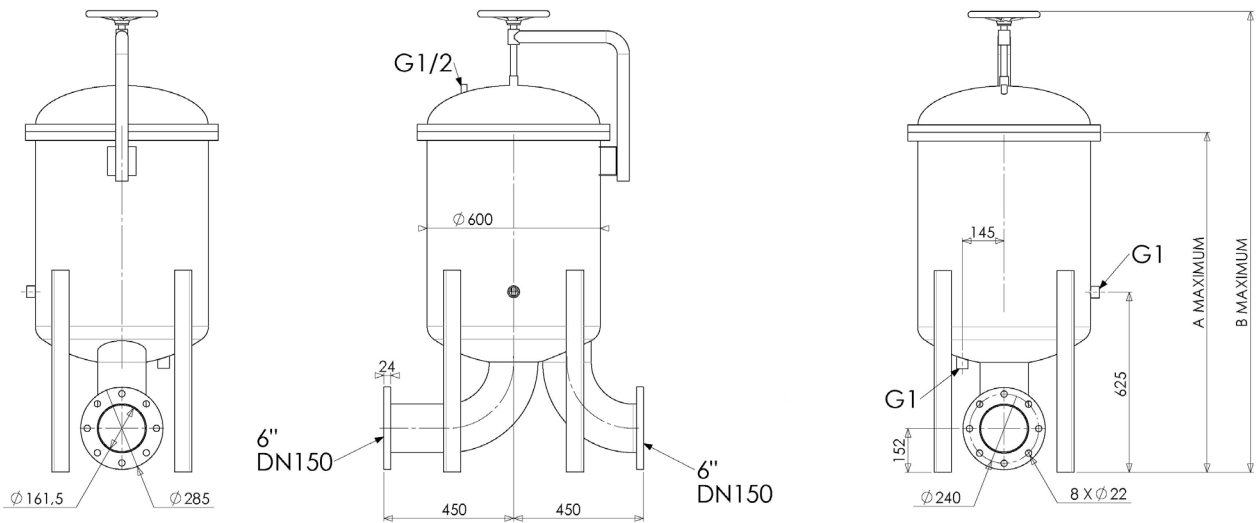
B / Inlet/Outlet

Code	Type
B150	DN 150 Flange

D / Seals

Code	Material
E	EPDM
V	FPM

DIMENSIONS (mm)



Cartridge heights

	A	B
20"	1180	1599
30"	1430	1849