

FILTECH™ cartridge filter housing with eye-bolts



Description

L-INOX model is a large cartridge filter housing for the industrial sector. Its molded design incorporates a toggle bolt closure and DN50 PN16 flanged connections.

The cover is equipped with a 1/4" BSP connection for mounting a vent valve or pressure gauge and a 1/2" root for mounting the drain valve.

The surface is electropolished for easy cleaning and corrosion resistance.

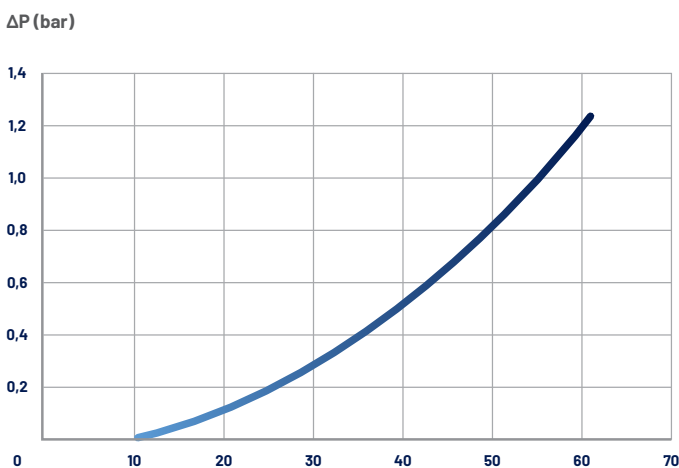
The filter housing accepts 20" and 30" FILTECH™ filter cartridges that reduce filtration and service costs.

The extra-large filter surface of FILTECH™ cartridges provides minimal pressure drop and excellent retention capabilities.

Characteristics & benefits

- Quick closure with eye-bolts for better pressure resistance.
- Available in 2 materials: 304 or 316L
- Available with Halar coating for 316L filter.
- Available in 2 heights: 20" and 30".
- The FILTECH™ pleated filter cartridge has a very large filtering surface (2.5 m²/10"). See FILTECH™ data sheet.
- Simplified maintenance intervention thanks to FILTECH™ technology. Reduced filtration and service costs.
- Filtration rate between 10 and 40 m³/h.
- Cover seal :
 - EPDM : Ref : QFAP-BB-10-20-JT-EPDM
 - EPDM ACS : Ref : QFAP-BB-10-20-JT-EPDM-ACS
 - FPM : Ref : QFAP-BB-10-20-JT-FPM
 - NBR : Ref : QFAP-BB-10-20-JT-NBR
- Options available upon request :
 - Pressure gauge, drain valve and vent valve in 316L (Ref : SI16442)
 - Possibility of mounting 7 standard QUALITHERM™ or QUALIBOB™ filter cartridges.
 - Cartridge centering device in stainless steel 316L (Ref : SI16366)
 - EPDM ACS lip seal : (Ref : SI21656)

Typical flow rates : For L-INOX 20" with 2" inlet/outlet



Typical initial pressure drop, water at 20°C viscosity 1cP

Flow rate (m³/h)

Service conditions

- Pression maximum d'utilisation : 10 bar à 75 C°
- Dimensionné pour 15 bar à 100 C°

ORDER REFERENCE

Example :

L-INOX - **A** 20 - **B** B50 - **C** 304 - **D** E - **E** H

A / Filter housing size

Code	Height
20	20"
30	30"

B / Inlet/Outlet

Code	Type
B50	DN 50 flange
2	2" BSP Female

C / Materials

Code	Material
304	Stainless Steel 304
316	Stainless steel 316 L

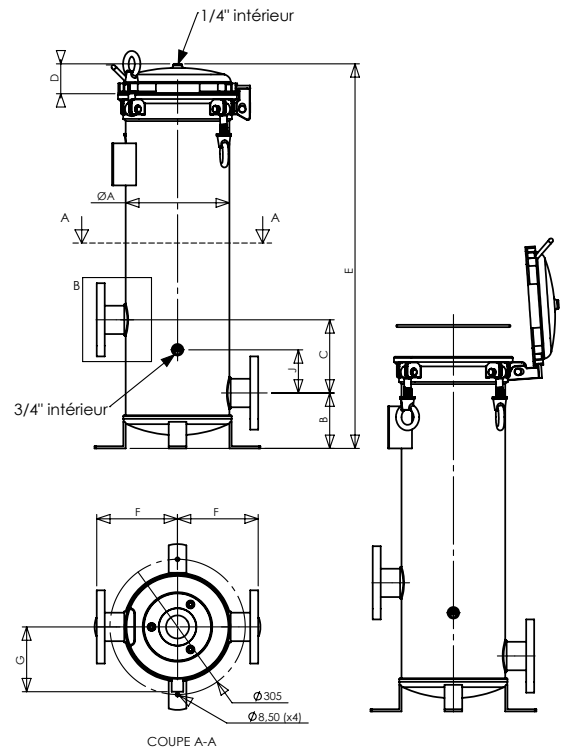
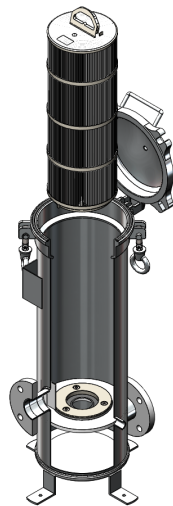
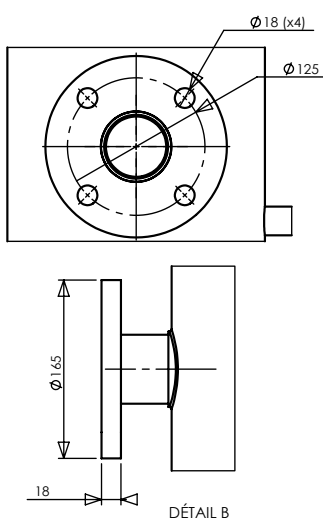
D / Seals

Code	Type
E	EPDM
EA	EPDM ACS
V	FPM
N	NBR

E / Coating

Code	Type
H	Halar

DIMENSIONS (mm)



Models	A	B	C	D	E	F	G	J
L-INOX 20" 2'	Ø234	118	161	67	867	154	-	92
L-INOX 20" B50	Ø234	118	165	67	867	178	-	94
L-INOX 30" 2'	-	-	-	-	-	-	-	-
L-INOX 30" B50	Ø234	118	165	165	1117	182	146	98

