

4 FILTECH™ cartridge filter housing with eye-bolts



Description

P-INOX model is a large cartridge filter housing designed for the industrial sector.

Its molded design incorporates a toggle bolt closure and DN80 or DN100 PN16 flanged connections.

The cover is equipped with a 1/2" BSP connection for mounting a vent valve or a pressure gauge and a 1" connection for mounting the drain valve.

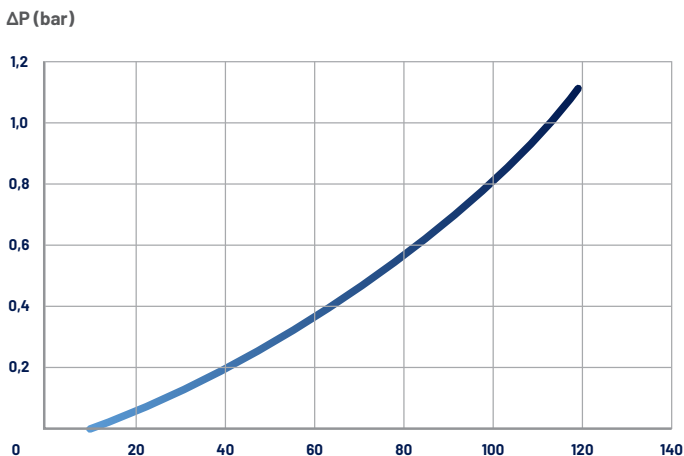
The surface is electropolished for easy cleaning and corrosion resistance. The filter housing accepts 20" and 30" FILTECH™ cartridges that reduce filtration and service costs.

The very large filter surface area of FILTECH™ Highflow cartridges provides minimal pressure drop and excellent retention capabilities.

Characteristics & benefits

- Quick closure with eye-bolts (BB) for better pressure resistance.
- Available in 2 materials: 304 or 316L
- Available in 2 heights: 20" and 30".
- The FILTECH™ Highflow™ pleated filter cartridge has a very large filtering surface (2.5 m²/10"). See FILTECH™ data sheet.
- Simplified maintenance intervention with L-TECH™ Highflow technology.
- Reduced filtration and intervention costs.
- Filtration rate between 20 and 120 m³/h
- Cover seal :
 - QPINOX-JT-EPDM
 - QPINOX-JT-EPDM-ACS
 - QPINOX-JT-FPM
 - QPINOX-JT-NBR
- Options available upon request :
 - Pressure gauge, drain valve and vent valve in 316L (Ref : SI16443)
 - Possibility of mounting 7 standard QUALITHERM™ or QUALIBOB™ cartridges.
 - Cartridge centering ring in stainless steel 316L (Ref : SI16366)
 - EPDM ACS lip seal : (Ref : SI21656)

Typical flow rates : For P-INOX 20", 3" inlet/outlet baffle



Typical initial pressure drop, water at 20°C viscosity 1cP

Flow rate (m³/h)

Service conditions

Conditions of use according to 2014/68/EU

Fluid group	Condition	Temperature	Maximum operating pressure
Non-hazardous fluid	Liquid	-20 to 75 °C	7 bars

ORDER REFERENCE

Example :



A / Filter housing sizes

Code	Height
20	20"
30	30"

C / Materials

Code	Material
304	Stainless Steel 304
316	Stainless steel 316 L

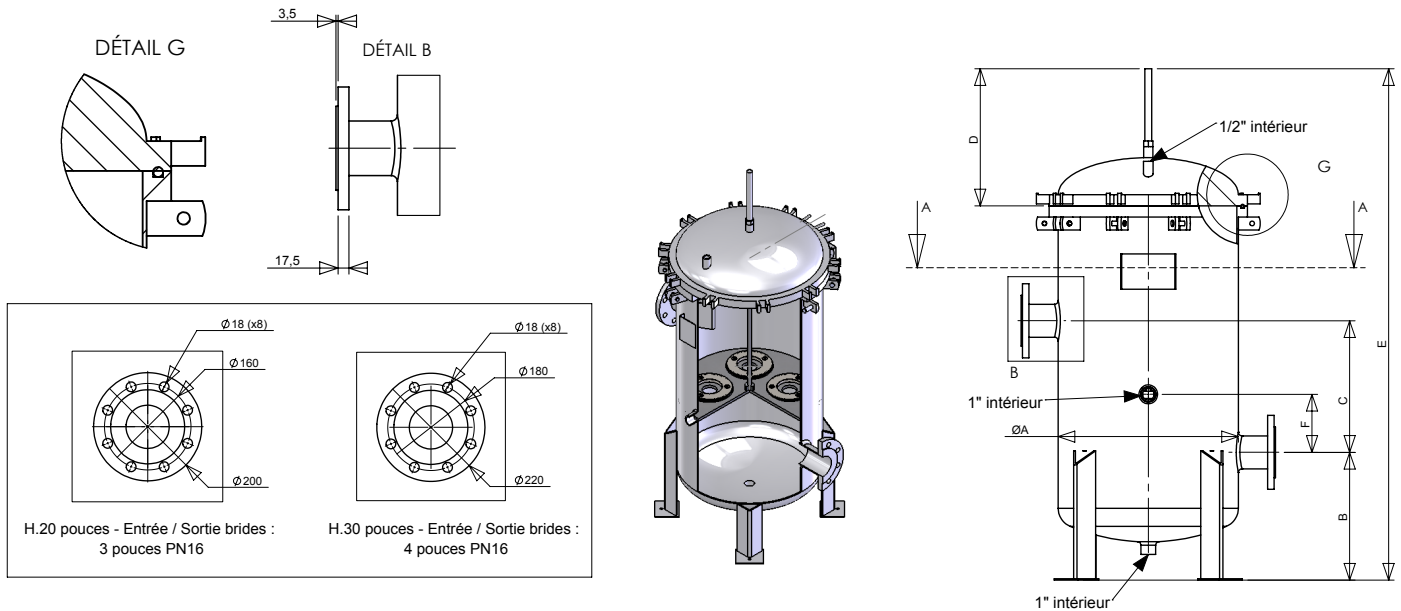
B / Inlet/Outlet

Code	Type
B50	DN 80 flange
2	DN 100 flange

D / Seals

Code	Material
E	EPDM
EA	EPDM ACS
V	FPM
N	NBR

DIMENSIONS (mm)



Models	A	B	C	D	E	F	G	H
P-INOX 20" B80	Ø486	345	355	370	1380	157	281	343
P-INOX 30" B80	Ø486	345	355	370	1630	110	281	343
P-INOX 30" B100	Ø486	345	355	370	1630	110	281	343

