

Corrosion-resistant mono-cartridge filter housing



Description

QFACP-MONO filter model from the Quali-filtres range is a cartridge filter body designed for the industrial sector or for certain critical fine chemical applications.

Its machined design incorporates a swivel nut for easy handling. The filter housing is available with flange or nut connections. The polypropylene or PVDF design provides high chemical resistance and a long service life for the filter housing.

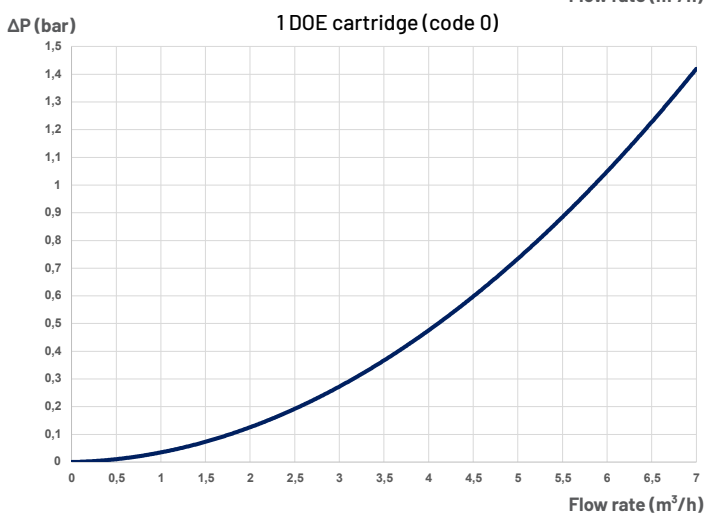
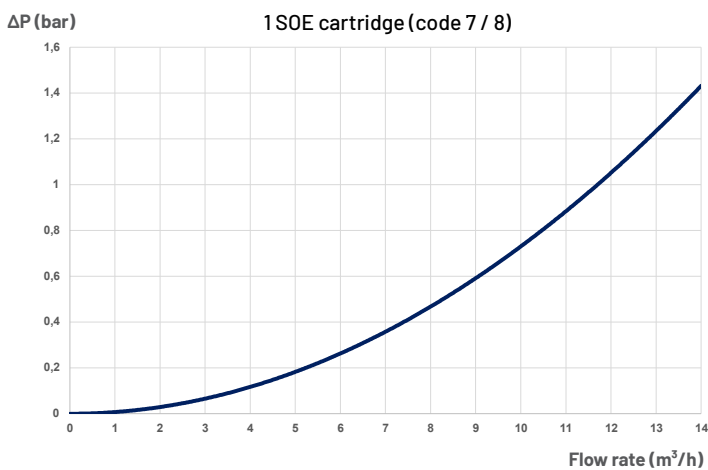
The filter housings accept code 0 (DOE), code 7 (SOE) or code 8 (SOE) cartridges.

The body is equipped with a 1/2" connection for the installation of a pressure gauge and drain valve.

Characteristics & benefits

- Mono-cartridge model available in PP or PVDF.
- Compatible with code 0 or code 7 and code 8 cartridges for improved sealing
- Cover seal : EPDM as standard
- Option available on request :
 - Pressure gauge and vent valve
- Other caps and designs available on request

Typical flow rates :



Service conditions

Conditions of use according to 2014/68/EU

Fluid group	State	Temperature	Maximum operating pressure
Non-hazardous fluid	Liquid	30 °C	10 bars
		40 °C	8 bars
		60 °C	5 bars
		70 °C	3 bars

ORDER REFERENCE

Example : **QFACP** - **A** **1** - **B** **10** - **C** **7** - **D** **1P1/2** - **E** **PP** - **F** **E**

A / Cartridges amount

Code	Amount
1	1 cartridge

B / Filter housing sizes

Code	Size
10	10"
20	20"
30	30"
40	40"

C / Cartridge types

Code	Type
0	DOE cartridge - double opening
7	SOE cartridge: single opening with 2 O-rings 2.226. + bayonet and point closure at the other end
8	SOE cartridge - Single opening with external 222 O-rings, other end flat

D / Inlet/Outlet

Code	Type
1P1/2	1"1/2 male threaded piece
B25	DN25 flange

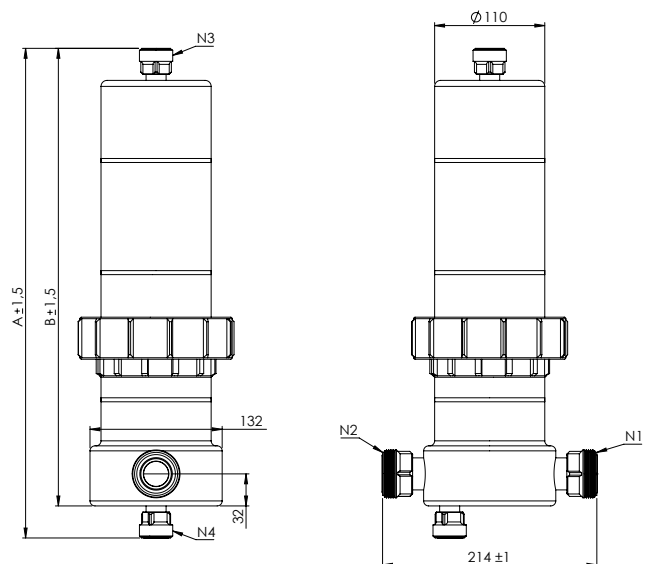
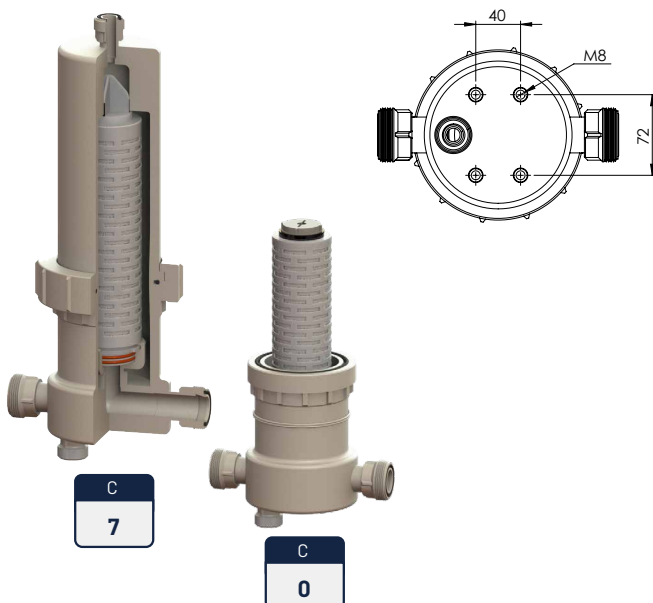
E / Materials

Code	Material
PP	Polypropylene
PVDF	Polyvinylidene fluoride

F / Seals

Code	Type
E	EPDM
V	FPM

DIMENSIONS (mm)



Model	A	B	N1 & N2	N3 & N4
QFACP 10"	489	457	G 1"1/2 ext	G 1" ext
QFACP 20"	738	706	G 1"1/2 ext	G 1" ext
QFACP 30"	988	956	G 1"1/2 ext	G 1" ext

