

Corrosion-resistant multi-cartridge filter housing



Description

QFACP-MULTI filter is a multi cartridge filter housing designed for the industrial sector.

Its machined design incorporates a tilting bolt cover.

The filter housing is available with flange or nut connections.

Its design in polypropylene gives it a high resistance to chemicals while guaranteeing a very good longevity of the filter housing.

The filter housings accept code 0 (DOE) or code 8 (SOE) cartridges.

The cover is equipped with a 1/2" connection for mounting a vent valve or pressure gauge.

Characteristics & benefits

- Multi-cartridge model available in PP only.
- Compatible with code 0 or code 8 cartridges for improved sealing
- Optional feet available for the multi-cartridge model.
- Available in FPM seal on request.
- Option available on request :
 - Pressure gauge and vent valve.
- Other caps and designs available on request.

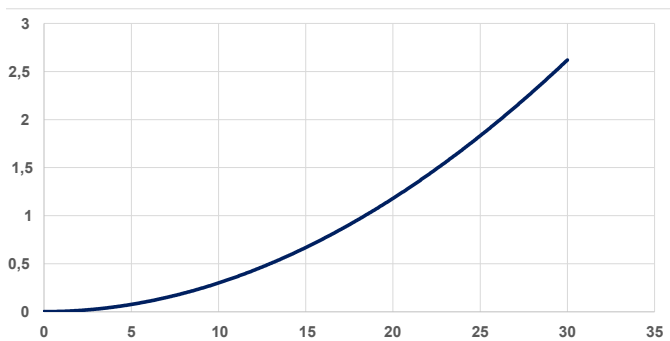
Service conditions

Conditions of use according to 2014/68/EU

Fluid group	State	Temperature	Maximum operating pressure
Non-hazardous fluid	Liquid	0 to 40 °C	7 bars
		40 to 50 °C	5 bars
		50 to 60 °C	4 bars
		60 to 70 °C	3 bars

Typical flow rates : 3 cartridges 20" model

ΔP (bar)



Typical initial pressure drop, water at 20°C viscosity 1cP

Flow rate (m³/h)

ORDER REFERENCE

Example : QFACP -

A
3

 -

B
20

 -

C
0

 -

D
2P1/4

 -

E
PP

 -

F
E

A / Cartridges amount

Code	Amount
3	3 cartridges

B / Filter housing sizes

Code	Size
10	10"
20	20"
30	30"

C / Cartridge types

Code	Type
0	DOE cartridge - double opening
8	SOE cartridge - Single opening with external 222 O-rings, other end flat

D / Inlet/Outlet

Code	Type
2P1/4	2"1/4 male threaded piece
B50	DN50 flange

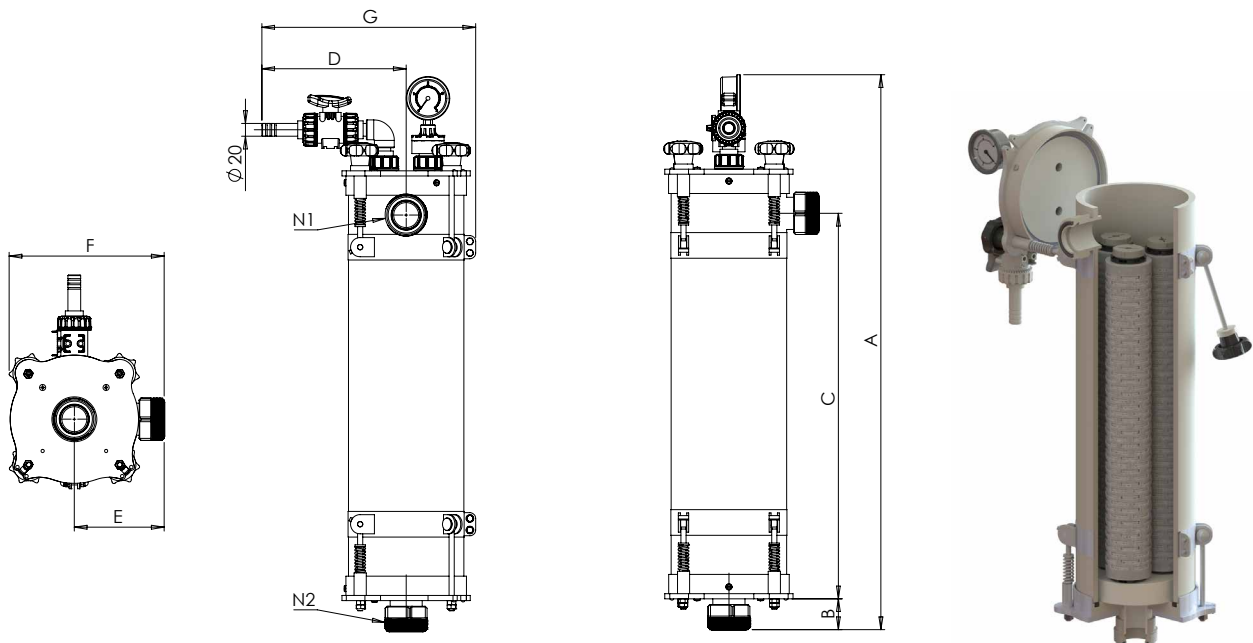
E / Materials

Code	Material
PP	Polypropylene

F / Seals

Code	Type
E	EPDM
V	FPM

DIMENSIONS (mm)



Model	A	B	C	D	E	F	G	N1 & N2
QFACP 10"	611	48	347	225	136	238	334	G 2"1/4 ext
QFACP 20"	865	48	601	225	136	238	334	G 2"1/4 ext
QFACP 30"	1119	48	855	225	136	238	334	G 2"1/4 ext

