



Flowrate

14.5 m³/h

Total Head

14.3 m

Power

1.1 kW

Vertical submersed pump for the transfer of corrosive fluids

APPLICATIONS

- Corrosiv fluids
- Bath transfer
- Dense fluids
- In bath operation only

ADVANTAGES

- Great efficiency
- Dry run possible
- No leaks
- Great lifespan

CONNECTION

- Union nut
- 302 mm square fixation plate
- Grooved nozzle

SPECIFICATION

Hydraulic performances

Max flow rate (m ³ /h)	14.5
Total head (m)	14.3
Max temperature (°C)	80 (PP) - 110 (PVDF)
Density	< 1.3

Motor

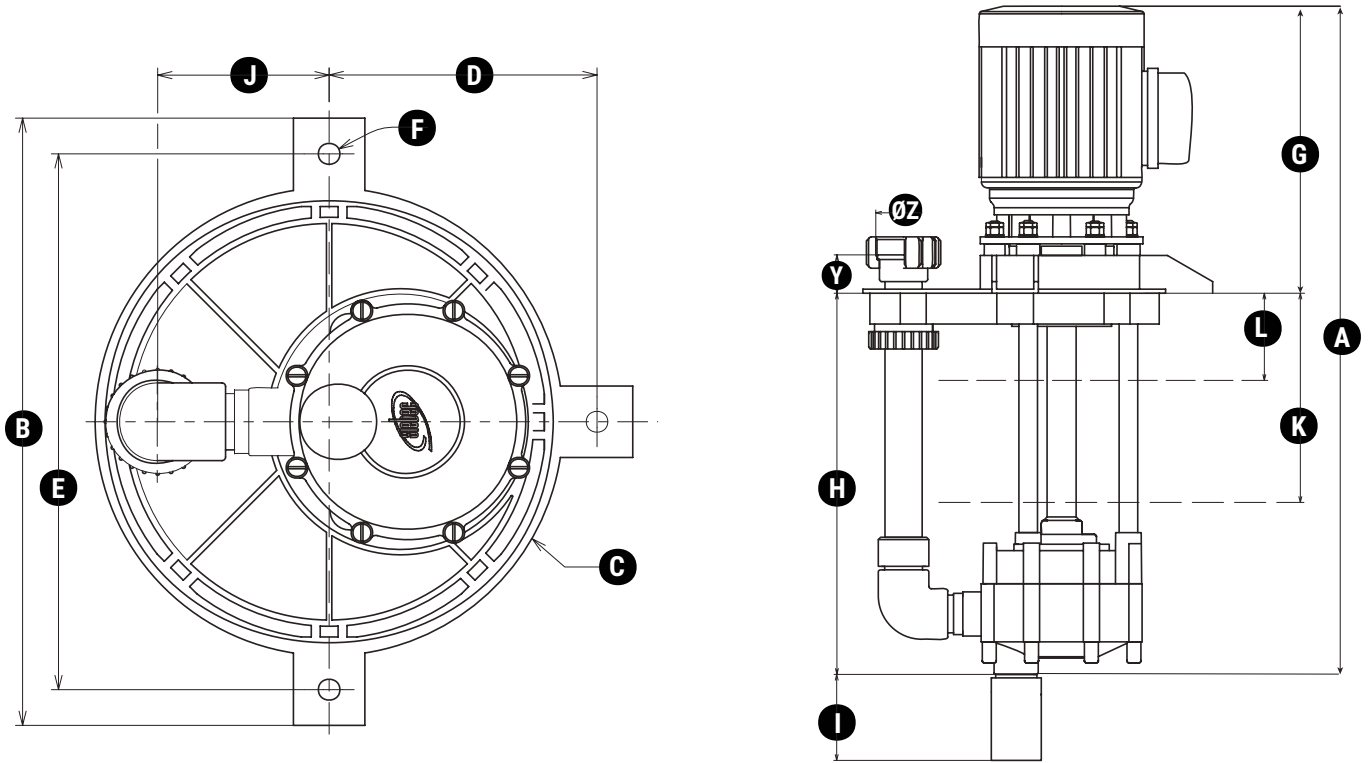
Standard	IE3
Power supply (V)	230 / 400 3ph
Frequency (Hz)	50 - 60
Rotation speed (rpm)	3000
Power (kW)	1.1

Design

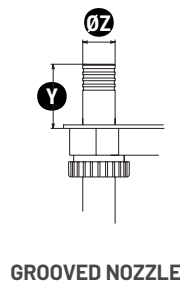
Technology	Vertical pump
Available materials	Polypropylen (PP) Polyvinylidene fluoride (PVDF)
Seals	N/A
Gaskets	EPDM (PP) FPM (PP)

DIMENSIONS

Units : (mm)



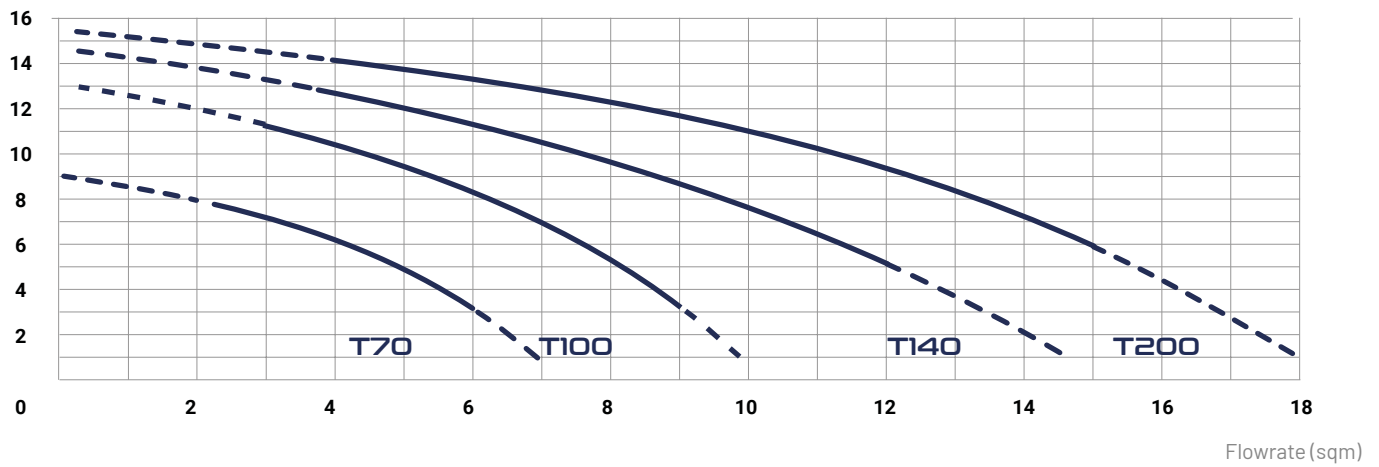
Outline dimensions			Fixation			Inlet / Outlet					
A	B	C	D	E	F	G	H	I	J	K	L
671.5	340	Ø 262	170	300	Ø 12	315	356.5	-	96	182.5	76.5



	Grooved nozzle		Union nut		Y	Z	X	V
	Y	Z	Y	Z				
Entrée	-	-	-	-	-	-	-	-
Sortie	63.5	Ø 40	38.5	G2" - DN32	-	-	-	-

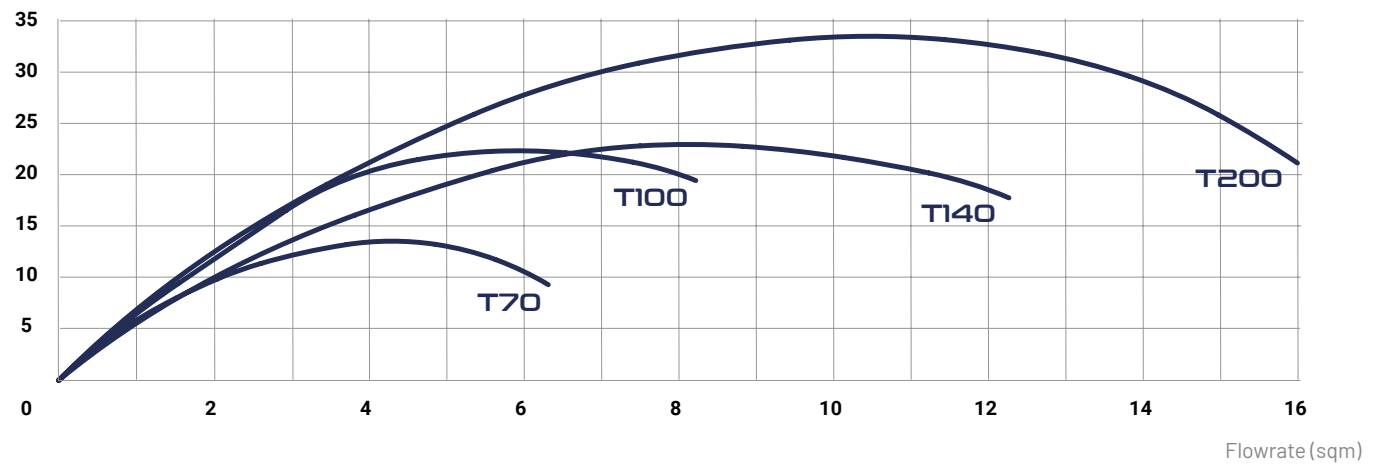
FLOWRATE CHARTS

Total Head (m)



NPSH CHART

NPSH (m)



SIEBEC VERTICAL PUMPS

		Flowrate (m³/h)	Total Head (m)	Power (kW)	Density	Power supply (V)
ST22	Vertical pump	2.9	4	0.12 (PP) - 0.18 (PVDF)	< 1.6 (PP) - > 2 (PVDF)	230 / 400 3ph
ST42	Vertical pump	4.4	5.2	0,18 (PP) - 0,25 (PVDF)	< 1.9 (PP) - > 2 (PVDF)	230 / 400 3ph
T72	Vertical pump	7	10,8	0.75	< 1.4	230 1ph or 230 / 400 3ph
T142	Vertical pump	14	14.5	1.1	< 1.2	230 1ph or 230 / 400 3ph
T202	Vertical pump	20	17	1.5	< 1.25	230 1ph or 230 / 400 3ph
T242	Vertical pump	17	22.2	1.5	< 1.3	230 1ph or 230 / 400 3ph
T262	Vertical pump	27	19.5	2.2	< 1.3	230 1ph or 230 / 400 3ph
T101	Vertical pump	10	16	0.75	< 1.3	230 / 400 3ph
T141	Vertical pump	14.5	17	1.1	< 1.3	230 / 400 3ph
T201	Vertical pump	18.5	18.5	1.1	< 1.3	230 / 400 3ph
ST10	Vertical pump	1.3	4	0.09 (PP) - 0.12 (PVDF)	< 1.4 (PP) - 1.7 (PVDF)	110 Monophasé, 230 monophasé ou 230 / 400 triphasé
ST30	Vertical pump	3.5	4	0.12 (PP) - 0.18 (PVDF)	< 1.4 (PP) - 1.7 (PVDF)	110 Monophasé, 230 monophasé ou 230 / 400 triphasé
ST50	Vertical pump	5	7	0.18 (PP) - 0.25 (PVDF)	< 1.3 (PP) - 1.7 (PVDF)	110 Monophasé, 230 monophasé ou 230 / 400 triphasé
T70	Vertical pump	7.2	9	0.55	< 1.3	230 / 400 3ph
T100	Vertical pump	10	13	0.75	< 1.3	230 / 400 3ph
T140	Vertical pump	14.5	14.3	1.1	< 1.3	230 / 400 3ph
T200	Vertical pump	18.5	15.5	1.1	< 1.3	230 / 400 3ph