

Description

The ST42 - 22 out of tank vertical pump range benefits from proven design features gained through over 60 years of experience and developments, and has been specially designed to handle the transfer of industrial and corrosive fluids with flowrates from 2 up to 4 m³/h and with a total head of up to 5.5 meters.

The innovative design integrates an internal stainless steel structure overmolded with plastic (PP or PVDF) which eliminates weak shaft connections whatever the temperature or liquid nature.

The chemical duty motor, with integrated extended SS shaft, ensures a great alignment of the impeller, the unique hydraulic part (closed impeller + innovative diffusor) has been enhanced through numerical simulations to improve hydraulic performances in comparison to existing pumps.

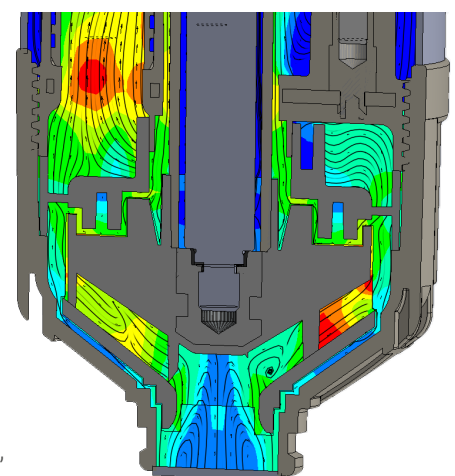
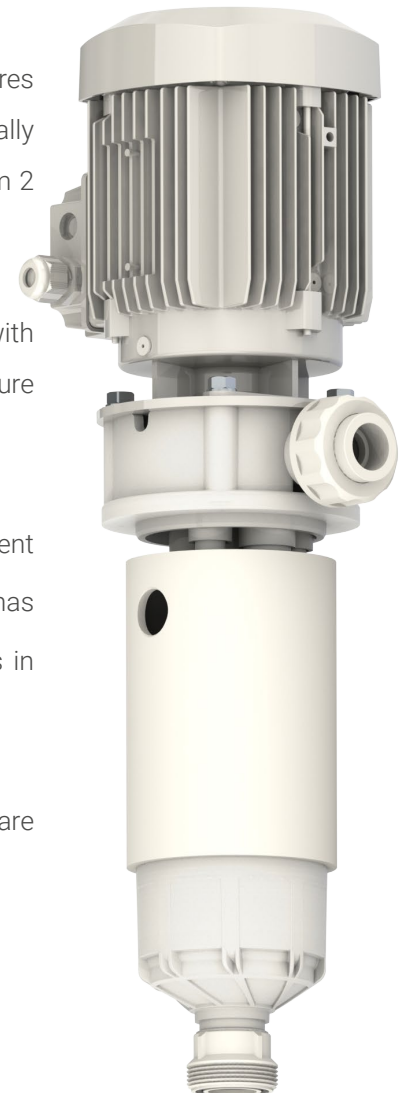
All those innovations allow the pump to reach incredible efficiency. All our pumps are individually tested in order to ensure proper operation and hydraulic performances.

Highlights

- High efficiency : 20% higher than the market average pumps
- Important energy savings
- Improves productivity through enhanced hydraulic performances
- Quiet and vibration free operation
- Ultracompact design
- Design ultracompact
- Dry run possible without damage to the pump
- Robust and reliable
- High density version available on request (up to d=2m)
- No overflow flow rate thanks to counterturbine

Typical applications

- Electroplating baths, rinse bath, acids, alkalis, chemically contaminated fluids, corrosive media and effluents
- Works out of the bath only (a version that works outside of the tank is also available)



VERTICAL PUMPS

- Made of Polypropylene or PVDF, gaskets FPM or EPDM
- Will replace most OEM pumps
- Integrated return pipe, DN20 outlet, G1"1/4 nut
- Aluminum high efficiency motors with integrated extended stainless steel shaft
- No metal parts in contact with corrosive liquids (bolts and nuts included).
- Runs dry without damage to the pump



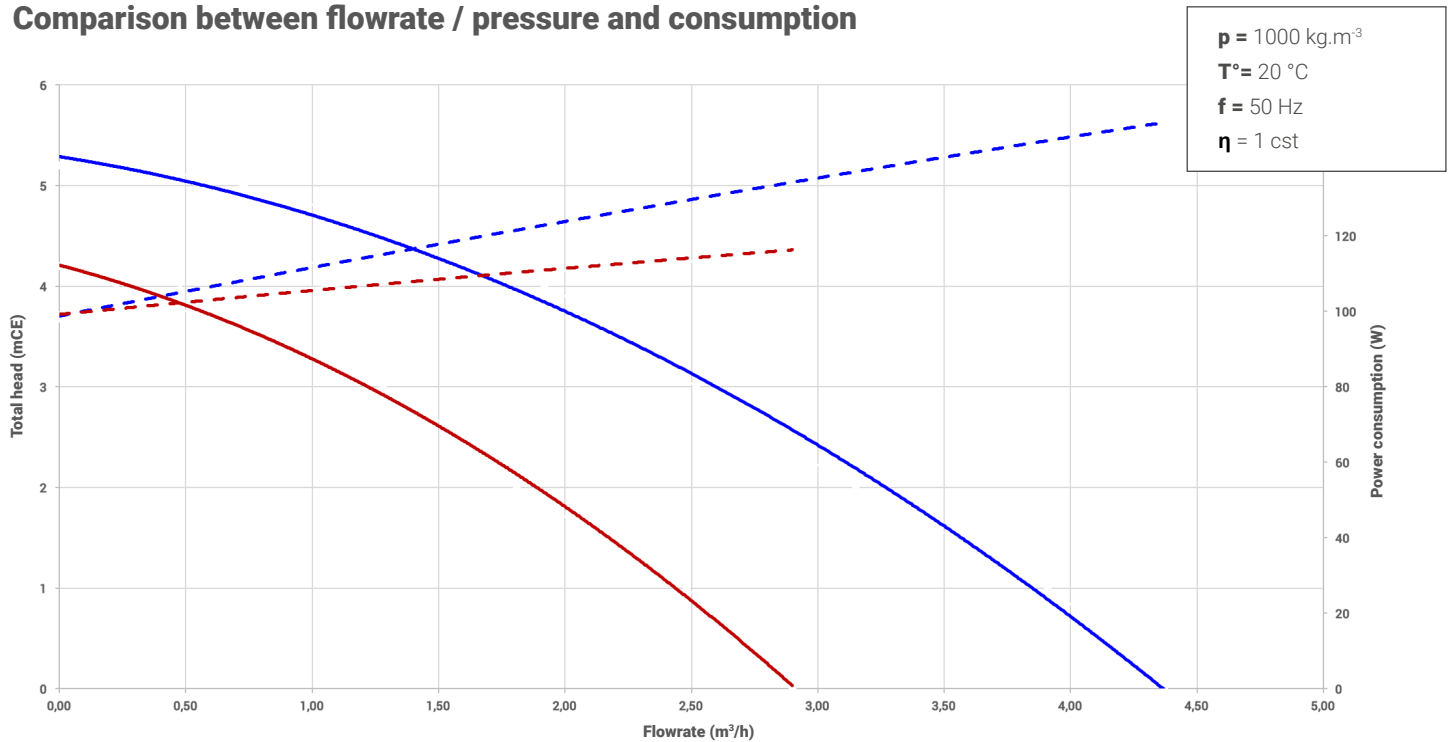
- Chemical duty motor, sealed with oversized bearings
- Internal stainless steel structure, overmolded with plastic
- Great stability whatever the temperature
- Quiet, vibration free
- Enclosed bottom impeller and integrated diffuser provides efficient flow performance at low horsepower
- Back impeller prevents liquid from rising in the column, even at maximum TDH
- Compact size 110 mm diameter volute case with integrated tube, no leaking risks

VERTICAL PUMPS

Features

	ST22	ST22 PVDF	ST42	ST42 PVDF
Assembly	Out of tank			
Electrical motor	Integrated			
Motor supply - V	230 / 400 V 3ph			
Duty	S1			
Max. ambient temperature - °C	50			
Max. relative humidity - %	95			
Frequency - Hz	50			
Rotation speed - rpm	3 000			
Frame size - mm	63			
Protection class	IP55			
Insulation class	F			
Type	V1			
Power - kW	0,12	0,18	0,18	0,25
Max flowrate - m³/h	2,9	2,9	4,4	4,4
Max total head - mWC	4	4	5,2	5,2
Max temperature - °C	80	110	80	110
Density	<1.6	> 2	<1.9	> 2
Gaskets	EPDM or FPM	FPM	EPDM or FPM	FPM

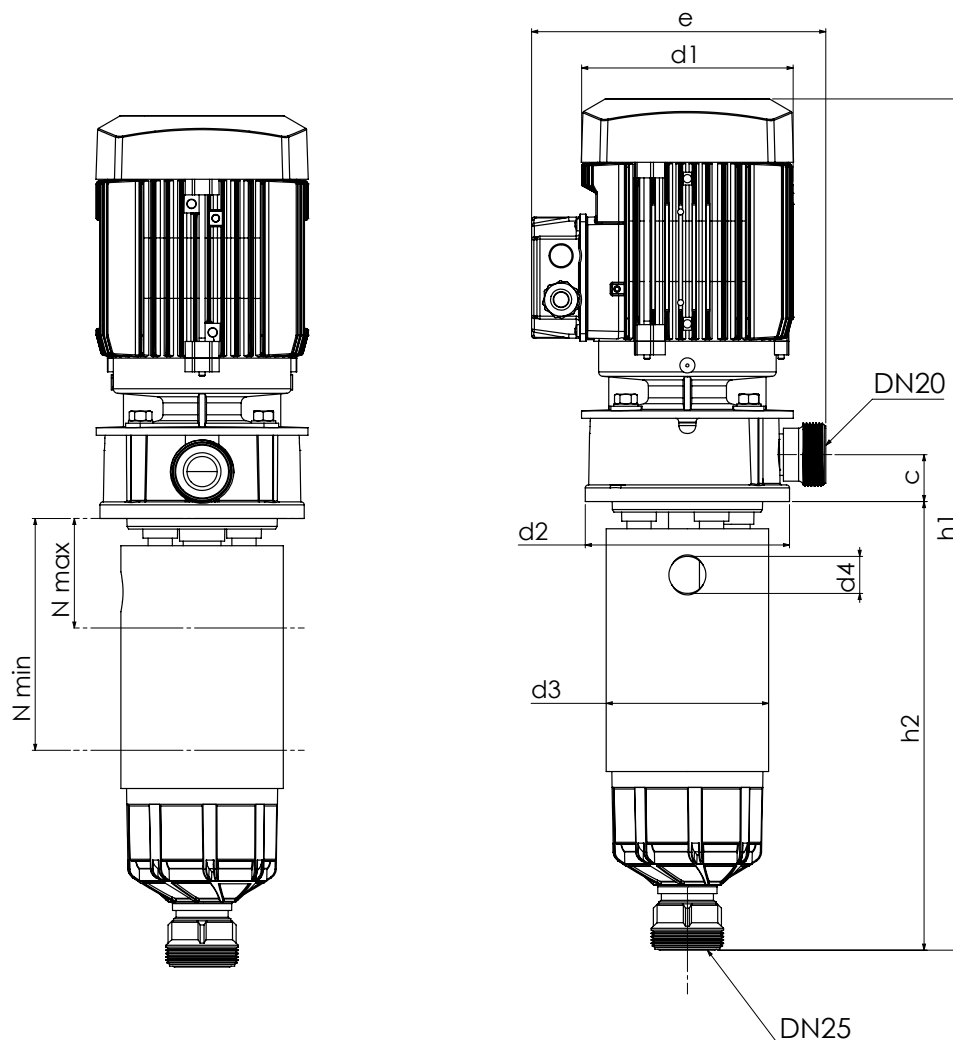
Comparison between flowrate / pressure and consumption



Légende

- Flowrate / Pressure ST42
- Flowrate / Pressure ST22
- - ST42 consumption
- - ST22 consumption

Dimension



	h1	h2	d1	d2	d3	d4	DN Inlet / Outlet	c	e
ST42	563	298	140	135	110	G3/4	25 / 20	30	215,5
ST22	556	291	140	135	110	G3/4	25 / 20	30	215,5

	H min (water level under flange min)	H max (water level under flange max)
ST42	70	170
ST22	65	165