

T101

T141 - 201

VERTICAL PUMPS



Highlights

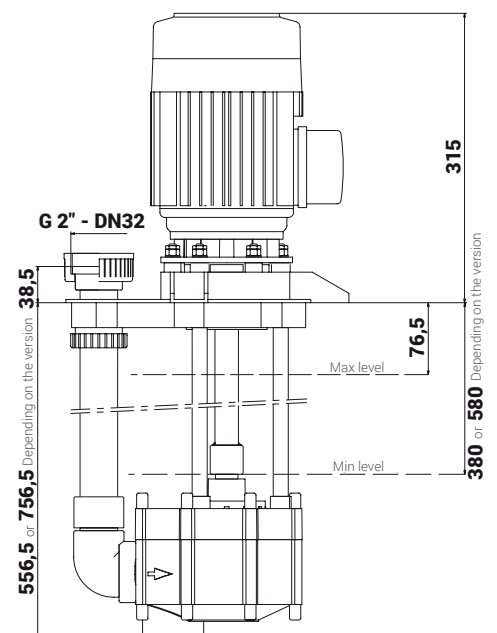
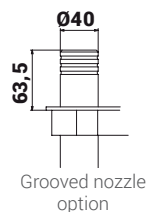
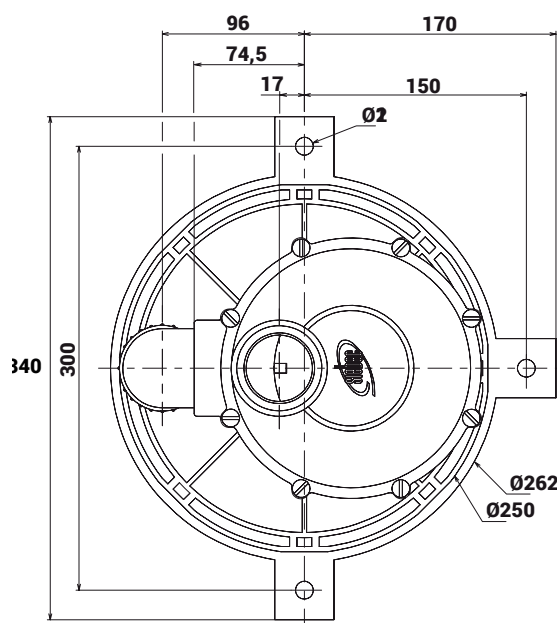
- Intank assembly
- Injected polypropylene or PVDF : great resistance to acids and alkalines
- Closed centrifugal impeller with diffusor : great efficiency
- Impeller driven by a long shaft with ceramic bearing : no mechanical seals, no risks of leakage, drive shaft height up to 756 mm, great liquid level variation possibilities
- Ceramic lower shaft 99% alumine
- Incorporated strainer to the volute : enhanced pump safety
- Connection : union nut
- Option : grooved nozzle, square fixation plate 302mm wide



Technical features

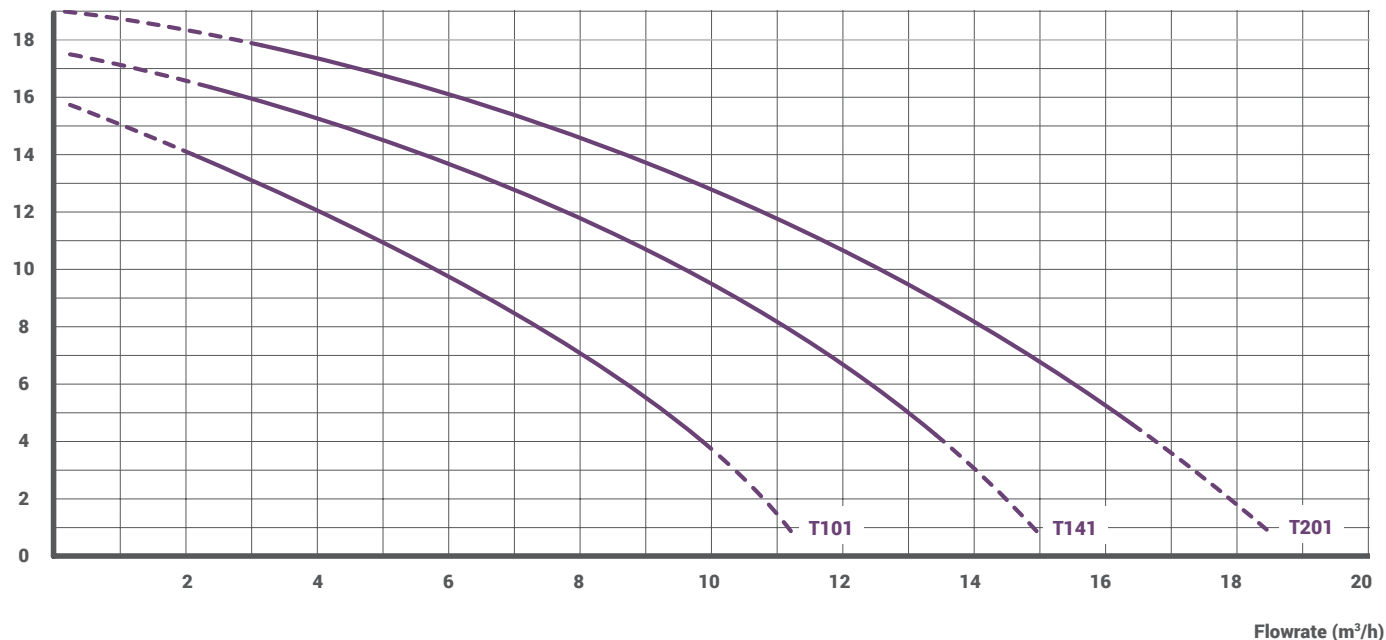
		T 101	T 141	T 201
Assembly		Intank		
Electrical motor		IE3		
Motor supply - V		230V / 400V 3ph		
Frequency - Hz		50 or 60		
Rotation speed - rpm		3 000		
Power - kW		0,75	1,1	1,1
Max flowrate - m³/h		10	14,5	18,5
Max total head - mWC		16	17	18,5
Max temperature - °C	PP	80	80	80
	PVDF	110	110	110
Density		<1,3	<1,3	<1,3
Gasket	PP	EPDM - FPM	EPDM - FPM	EPDM - FPM
	PVDF	FPM	FPM	FPM

Dimension



Flowrate chart

Total head (mWC)



Efficiency chart

Efficiency (%)

