

T242

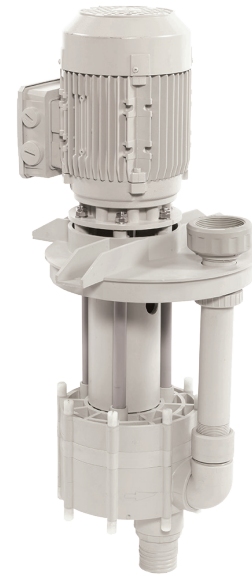
T262



VERTICAL PUMPS

Highlights

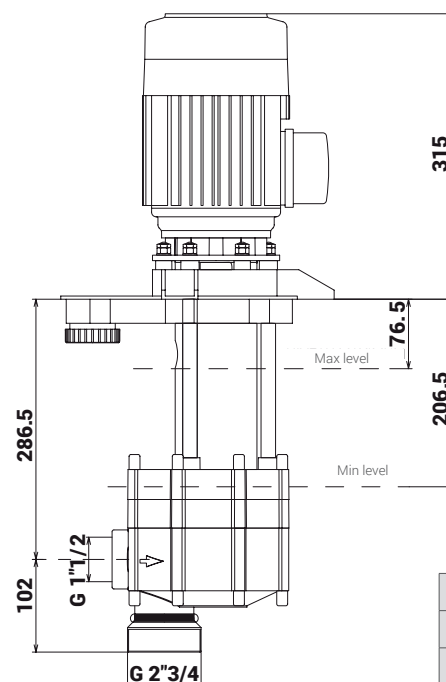
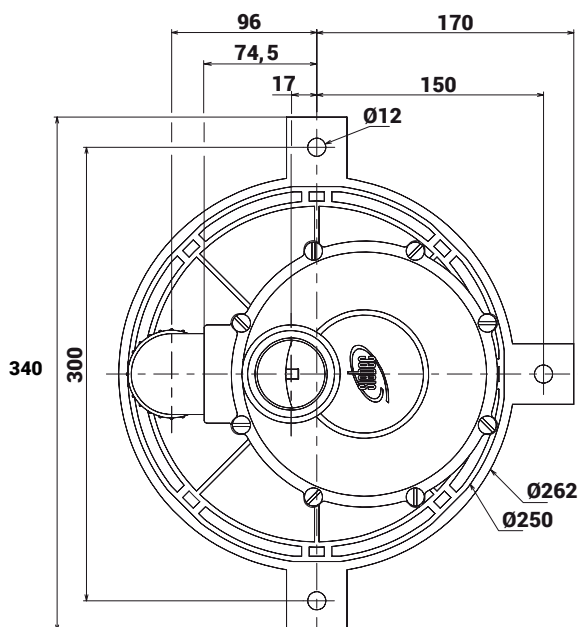
- In tank or out of tank assembly
- Impeller driven by a cantilever shaft with back impeller ST22 to T262 versions
- No mechanical seal, dry run without a problem
- Injected polypropylene or PVDF : great resistance to acids and alkalines
- Closed centrifugal impeller with diffusor : great efficiency
- Incorporated strainer to the volute : enhanced pump safety
- Connection : union nut
- Option : grooved nozzle, flanges, square fixation plate 302mm wide



Technical features

		T 242	T262
Assembly		Intank or out of tank	
Electrical motor		IE3	
Motor supply - V		230 / 400 3ph	
Frequency - Hz		50 or 60	
Rotation speed - rpm		3 000	
Power - kW		1,5	2,2
Max flowrate - m³/h		17	27
Max total head - mWC		22,2	19,5
Max temperature - °C	PP	80	80
	PVDF	110	110
Density		<1,3	<1,3
Gasket	PP	EPDM - FPM	EPDM - FPM
	PVDF	FPM	FPM

Dimension



	Side A
T242	315
T262	334,5

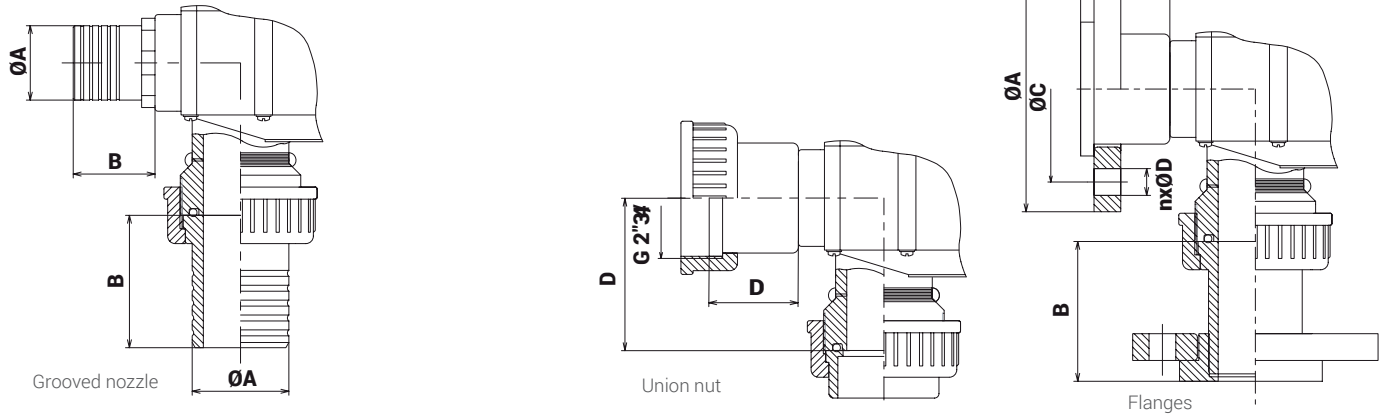
T242

T262

VERTICAL PUMPS



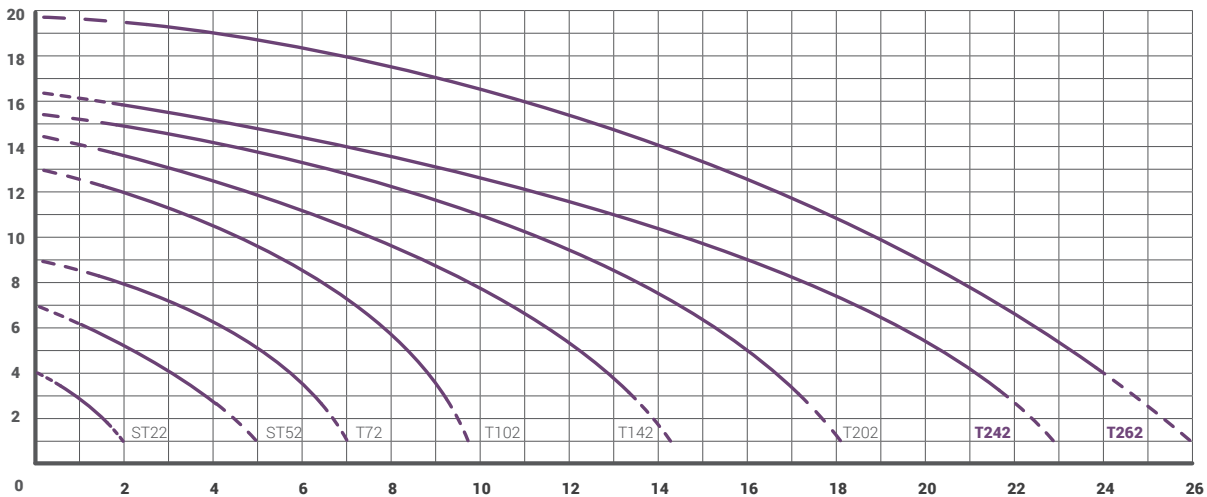
Raccords



	Grooved nozzle Ø A - B	Union nut Ø C - D	Flanges ØA - ØC - NxØD - B
Inlet	Ø65 - 89	G2"3/4 DN50 - 102,5	Ø165 - Ø125 - 4x18 - 94
Outlet	Ø50 - 55	G2"3/4 - DN50 - 60	Ø165 - Ø125 - 4x18 - 60

Flowrate charts

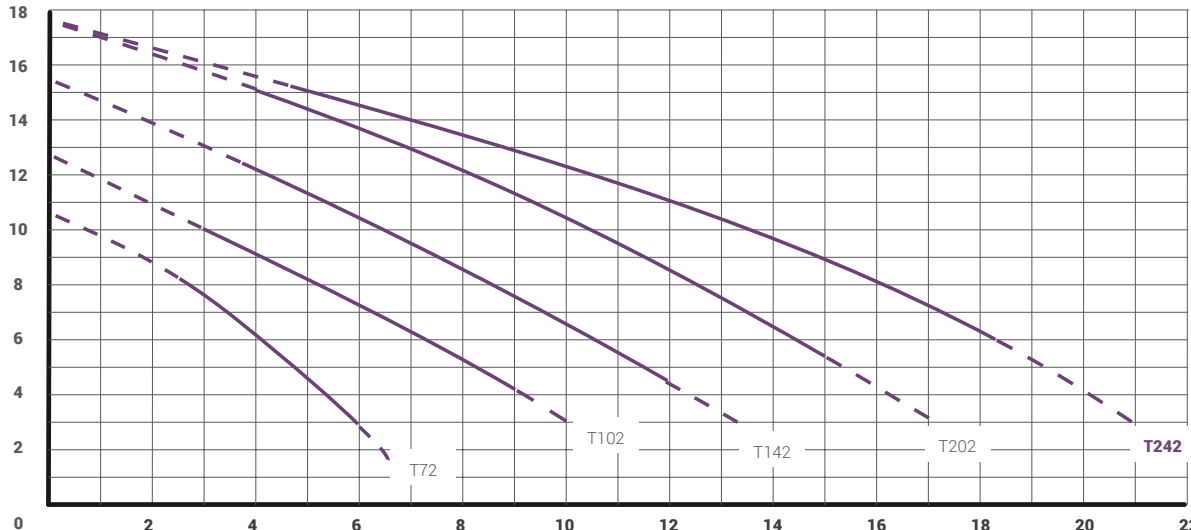
Total Head (mWC)



Flowrate (m³/h)

Efficiency charts

Efficiency (%)



Flowrate (m³/h)