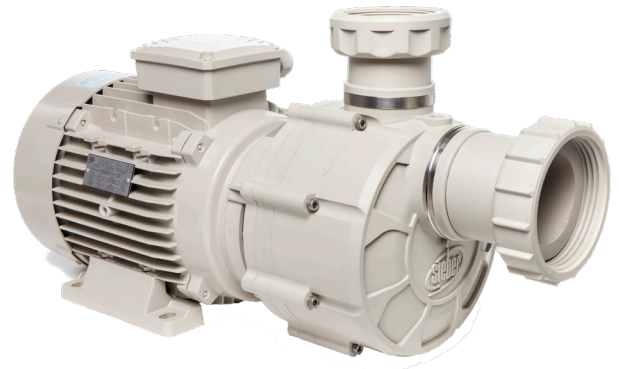


MECHANICAL SEALS PUMPS

Highlights

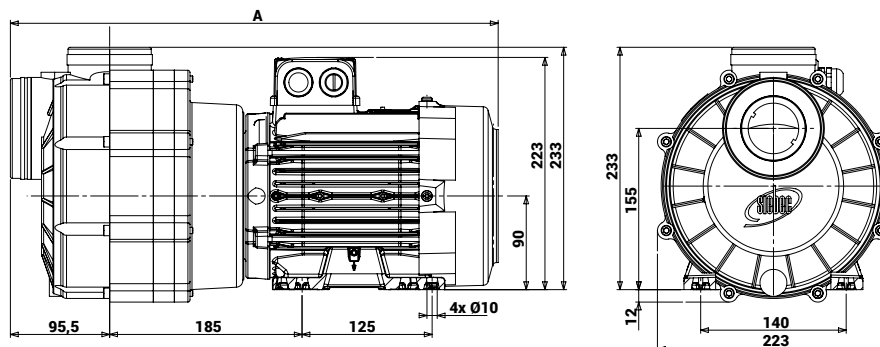
- Polypropylene or PVDF : great resistance to acids and alkalines
- Closed centrifugal impeller with diffused : great efficiency
- Carbide/ carbide seal : great resistance to wear and tear
- Strainer integrated to the volute : enhanced pump security
- Self repriming : up to 2m
- Integrated electrical motor IE3
- Connections : standard grooved nozzles
- Option : union nuts, flanges
- Option : higher density on request



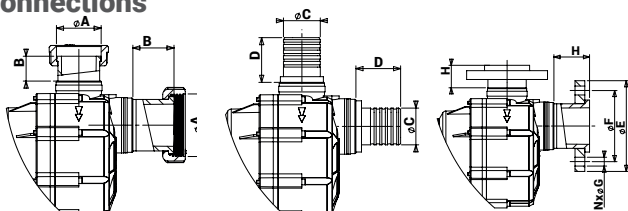
Technical features

Seals		Carbide / carbide (others on request)
Electric motor		IE 3
Power supply - V		230 / 400 3ph
Frequency - Hz		50 / 60
Rotation speed - rpm		3 000
Motor power - kW		2,2
Max flowrate - m³/h		31,5
Max height - mWC		22
Max temperature - °C	PP	80
	PVDF	110
Density		<1,4 (higher on request)
Gaskets	PP	EPDM - FPM
	PVDF	FPM
		26

Dimensions



Connections



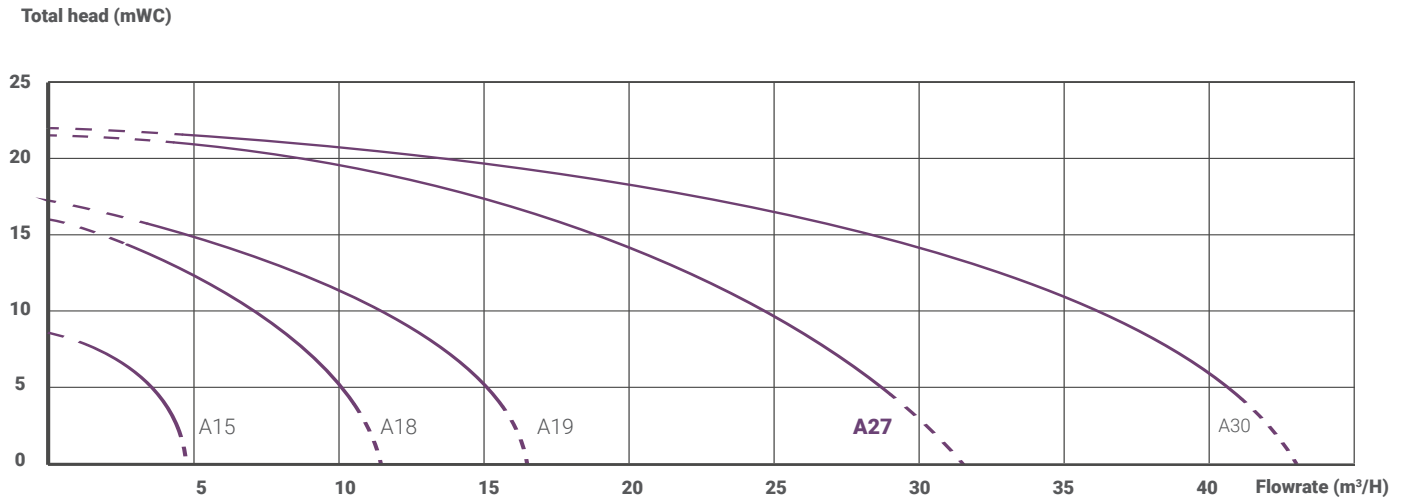
1 Union nut

2 Grooved nozzles

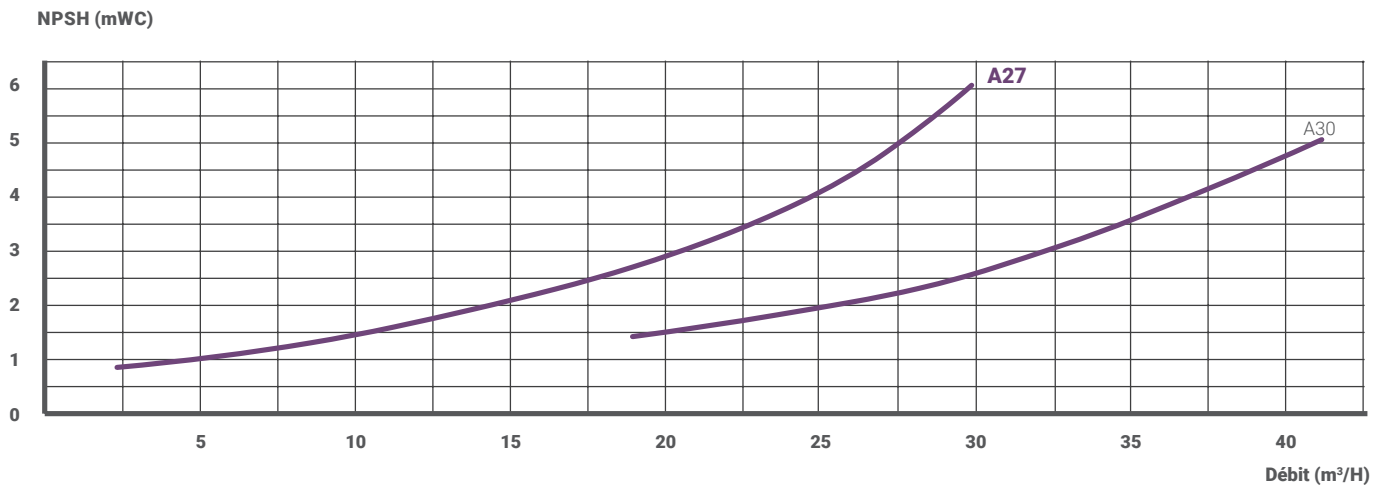
3 Flanges

		Inlet	Outlet
1	ØA-B	TR 108X5 - DN65 - 73	G 2x3/4 - DN50 - 44
2	ØC - D	Ø65 - 79	Ø65 - 79
3	ØE - ØF - NxØG - H	Ø 185 - Ø145 - 4X Ø18 - 73	Ø 165 - Ø125 - 4X Ø18 - 46

Flow rates chart



NPSH charts



Efficiency charts

