

SPP 90

DOSING PUMP



Highlights

This pump was designed for demand applications requiring a reinforced polycarbonate body and integrated bearings. The transparent lid is mounted on hinges to ease the changing of pipes. Equipped with a 2.4mm pipe it enables good performances on viscous liquids.

Options : IP65 kit, On/off button, fuse



SPP KIT

The SPP kit converts a 230V alternating current to 24V DC. The power supply enables a direct connection on any kind of outlet or directly on a machine.

It can be equipped with a circuit board enabling the automation of the pump..

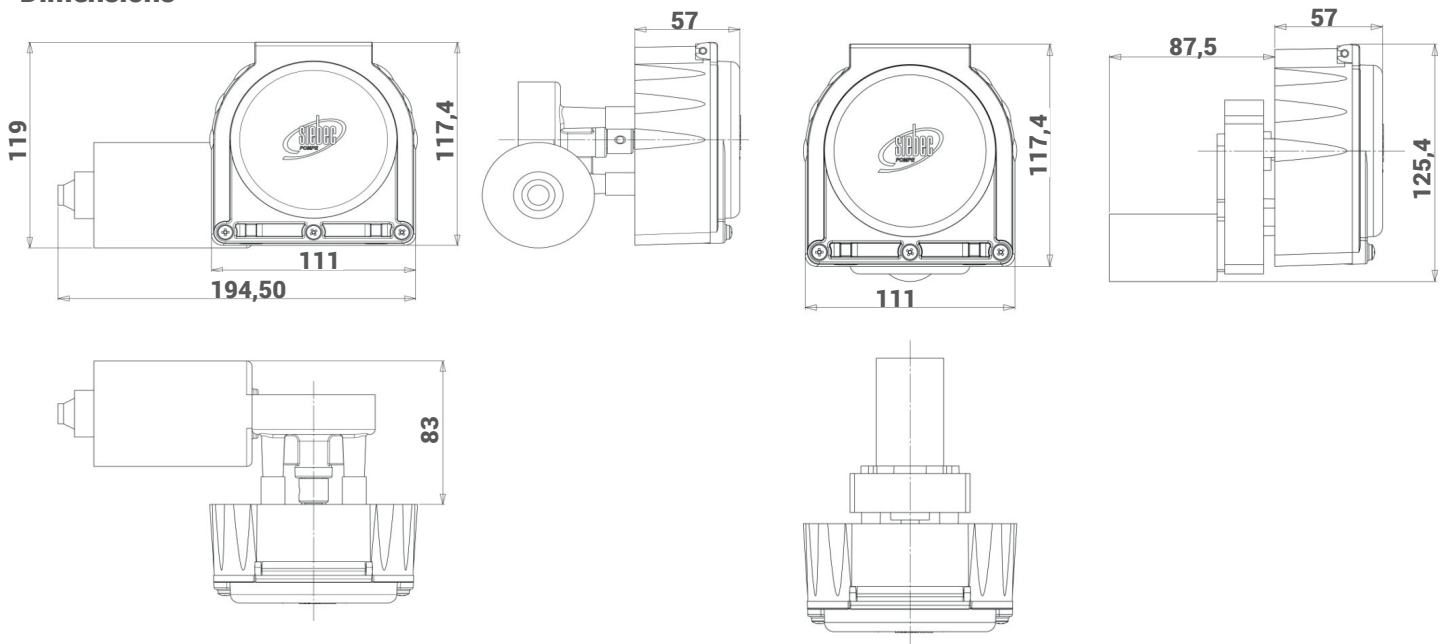
Technical features

Power supply - V	24V* permanent magnet continuous current, in option 230V**, 24V Brushless with tachometer encoder					
Frequency - Hz	50					
Max pressure - bar	2					
Tube materials	Tecknoprene®, Silicone®, Viton® Polypropylène or PVDF connectors					
Weight without accessories - kg	1 up to 1,5 kg					
Power - W	12 up to 45					
Rotation speed - rpm	65	85	88 (brushless)	125	240	
Max flowrate - l/h	Ø tube 6 - mm	20,40	27,00	27,00	36,60	87,00
	Ø tube 8 - mm	29,40	37,80	38,40	54,00	126,00

*24 V : 65 RPM, 85 RPM, 125 RPM, 240V ou 24 V brushless: 88 RPM

**230 V: 125 RPM

Dimensions



24V with 240 rpm motoreductor

24V with 55 up to 125 rpm motoreductor