

T72

T102 - T142 - T202



VERTICAL PUMPS

Highlights

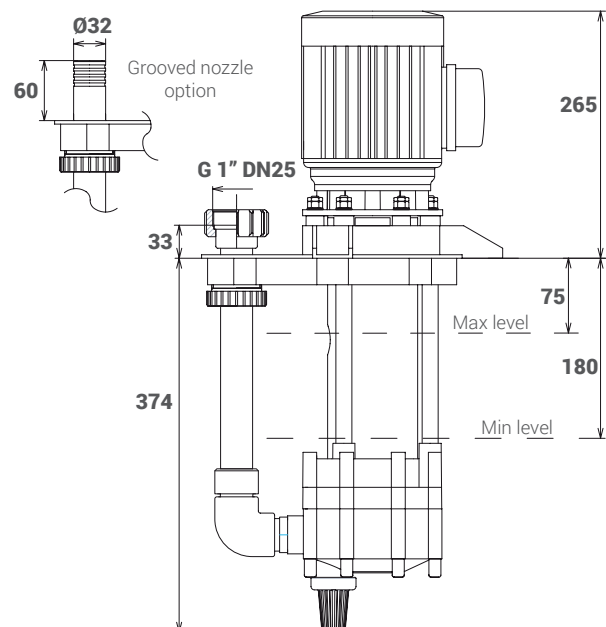
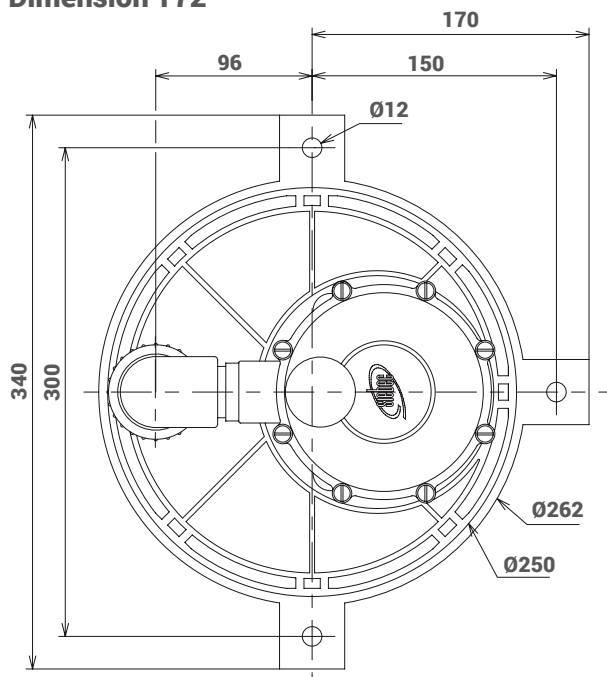
- In tank or out of tank assembly
- Impeller driven by a cantilever shaft with back impeller ST22 to T262 versions
- No mechanical seal, dry run without a problem
- Injected polypropylene or PVDF : great resistance to acids and alkalines
- Closed centrifugal impeller with diffusor : great efficiency
- Incorporated strainer to the volute (external for T72) : enhanced pump safety
- Connection : union nut
- Option : grooved nozzle, flanges (T202) square fixation plate 302mm wide



Technical features

		T 72	T 102	T 142	T 202
Assembly		Out of tank or in tank			
Electrical motor		IE3			
Motor supply - V		230 V 1ph or 230V / 400V 3ph			
Frequency - Hz		50 or 60			
Rotation speed - rpm		3 000			
Power - kW		0,75	1,1	1,1	1,5
Max flowrate - m³/h		7	14	14	20
Max total head - mWC		10,8	14	14,5	17
Max temperature - °C	PP	80	80	80	80
	PVDF	110	110	110	110
Density		<1,4	<1,4	<1,2	<1,25
Gasket	PP	EPDM - FPM	EPDM - FPM	EPDM - FPM	EPDM - FPM
	PVDF	FPM	FPM	FPM	FPM

Dimension T72



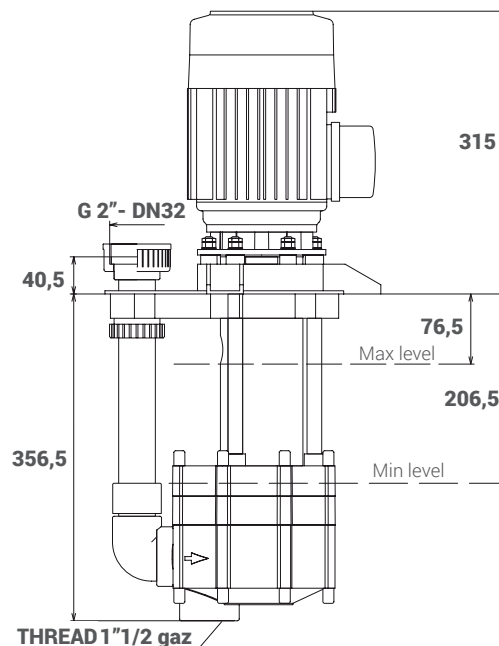
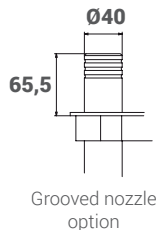
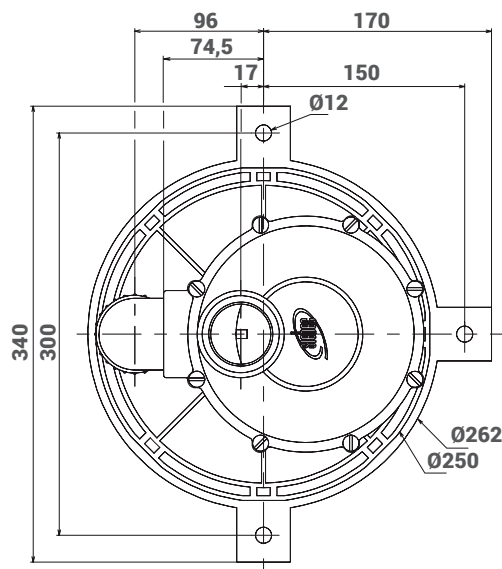
T72

T102 - T142 - T202



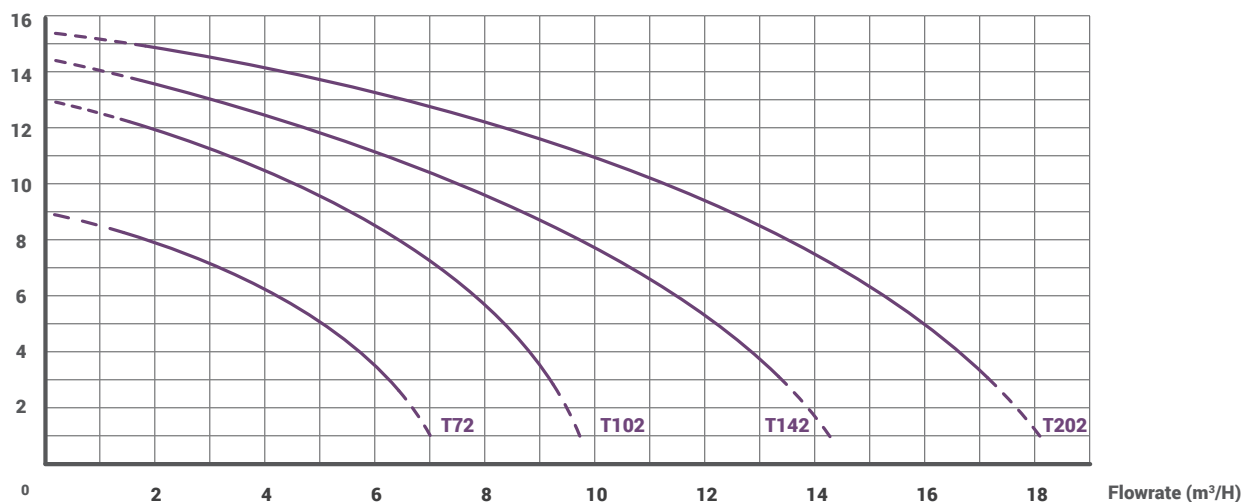
VERTICAL PUMPS

Dimensions T102-142-202



Flowrate charts

Total Head (mWC)



Efficiency charts

Efficiency (%)

